



Big Dutchman[®]

Spare parts list

Big Dutchman (Skandinavien) A/S

bdsk.spareparts@bigdutchman.dk

Table of content

1 Valves.....	2
1.1 BD 4 feeding valve	2
1.2 BD 10 feeding valve	5
1.3 BD ValWet feeding valve	6
1.4 Valves.....	7
2 PVC fittings.....	9
2.1 PVC fittings.....	9
3 Supports, U-bolts	14
3.1 U-Bolt and Bottom.....	14
3.2 Wall supports	15
4 Mix tanks.....	17
4.1 Mix tank 4-8000 litre	17
4.2 Mix tank 42-8200 litre	21
4.3 Separator 2½" of foreign objects with hinged cover.....	22
4.4 Stone separator Round model	23
5 Pumps.....	25
5.1 Feeding Pump Netzch M45 - L45.....	25
5.2 Feeding Pump Netzch NX417	27
5.3 Feeding Pump BD 50.....	28
5.4 Centrifugal pump 4kW stainless steel.....	29
6 Special pumps and flow meter for acid.....	30
6.1 Husky Acid pump	30
6.2 Spareparts for little 20 liter formic acid pump	31
6.3 Pump Formic acid, big model	32
6.4 Hose pump for formic acid and soap	33
6.5 Flowmeter Metal	34
6.6 Acid Atomizer 24V Ac Dk	35
7 Mills and filtre system.....	36
7.1 MBM Mill rotor 25 cm	36
7.2 MBM 25 solde	37
7.3 MBM Mill rotor 15 cm	38
7.4 MBM 15 solde	39
7.5 MBM filters for MBM mill.....	40
7.6 Filter bags for DustFilter and DustBuster filter system	41
7.7 BDS mill type 2, 15 cm.....	42
7.8 BDS mill type 2, 15 Screen.....	43
7.9 BDS mill type BD 20, 20 cm	44
7.10 BDS mill type 2, 20 Screen.....	45
7.11 BDS mill type 1, 15 cm.....	46
7.12 BDS mill type 1, 15 Screen.....	47
8 Milling system.....	48
8.1 BDS Polygon / Dust Buster Easy.....	48
8.2 BDS suction filter.....	49
8.3 MBM Drum cleaner	50
8.4 MBM Drum cleaner inner.....	51
8.5 Drive parts RM3.....	52

8.6 BDS 2000 l mixer	53
9 Rotary valve	54
9.1 Rotary valve BDS Q20	54
9.2 Rotary valve BDS Q24	55
10 Augers	56
10.1 Motor with gear 15:1/1,1 Kw/50-1400 (95 o/min)	56
10.2 BDS 102 mm Auger extra length.....	57
10.3 BDS 152 mm Auger.....	58
10.4 BDS 152 mm extra Auger.....	60
10.5 BDS 152 mm Trough auger	61
10.6 ST 205 mm Trough auger	62
11 Transport system, Cup elevator, Chain elevator & chain conveyor	63
11.1 E80 Cup elevator.....	63
11.2 SE25 & 40 Chain elevator	64
11.3 SE25 Elevatortop with gear	65
11.4 SE25 Elevatortop with belt	66
11.5 SR25 drive with gear.....	67
11.6 SR25 drive with belt	68
11.7 SE25 Elevator foot open	69
11.8 SE25 Elevator foot closed.....	70
11.9 Flex foot Ø135-Ø90	71
11.10 Flex foot Ø135-Ø90 with drive through	72
11.11 SR25 circuit section	73
11.12 SR40 circuit section	74
11.13 Se40 Elevator head w. gear.....	75
11.14 SE40 Elevatortop with belt	76
11.15 SR40Elevatortop with gear	77
11.16 SR40 drive with belt	78
11.17 SE40 Elevator foot open	79
11.18 SE40 Elevator foot closed.....	80
11.19 SE40 Flex elevator foot Ø180.....	81
11.20 SE40 Flex foot with drive through Ø180.....	82
11.21 Se25 & SE40 infeed blade	83
12 Dry feeder type DR1500	84
12.1 Drive in Stainless steel 1.5 kW DR1500XXL	85
12.2 Stainless steel drive DR1500	86
12.3 Drive DR850.....	87
13 Call Matic station.....	88
13.1 Call Matic station pos. 1-16	88

1 Valves

1.1 BD 4 feeding valve



Pos	Pcs.	Item no.	Text	Order
1	1	46-91-1008	Int.Ventil Cont. Complete White/Orange+Adlib+Eating time control	
2	1	46-05-0211	Plug f/magnetic valve/feedvalve DB4 w/lightemitting diode, 0,5m cable	
3	1	20-50-3306	Gasket for plug for solenoid valve 24V DC	
4	2	99-10-1457	Slotted cheese head screw M 4x60 DIN 84-SS	
5	1	99-40-1079	T-piece 8/6mm to 1/8" FM pivotable, pluggable, plastics PA	
6	1	99-40-3583	Gasket 1/8" with collar	
7	1	20-50-3201	Body f/valve ABS 4hole 90° w/short connection	
8	4	99-20-1452	Bolt set M12x50 stainless	
9	4	99-20-1501	hex nut M12 stainless	
10	4	99-20-1606	Washer SST A 13 DIN 125	

1.1.1 Body f/valve ABS 4-hole 90deg w/short conn.



Item no: 20-50-3201



1.1.2 Diaphragm rubber 4-hole D



Item no: 83-04-2319

1.1.3 Cover PA6.66F30 f/valve 4-hole reinforced



Item no: 20-50-3635

1.1.4 Solenoid valve



Item no: 20-50-3308

1.1.5 Solenoid valve 24V AC 50hz f/feed valve without acc.



Item no: 20-50-1181



1.1.6 Valve-control intelligent incl.adlib- /eating time func V13



Item no: 46-91-1008

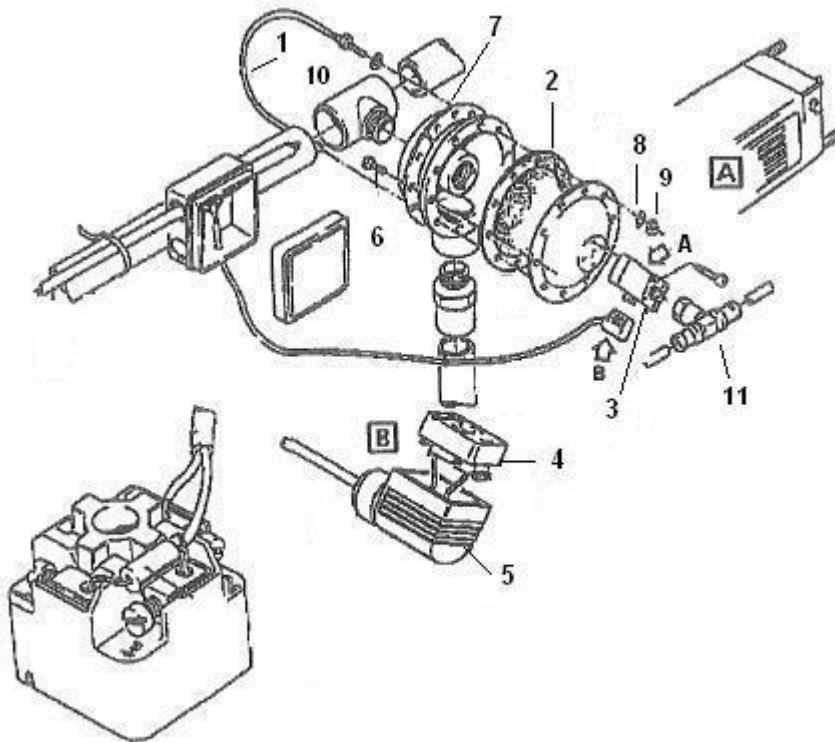
1.1.7 "Plug f/magnetic valve/feedvalve DB4 w/lightemitting diode, 0,5m cable



Item no: 46-05-0211

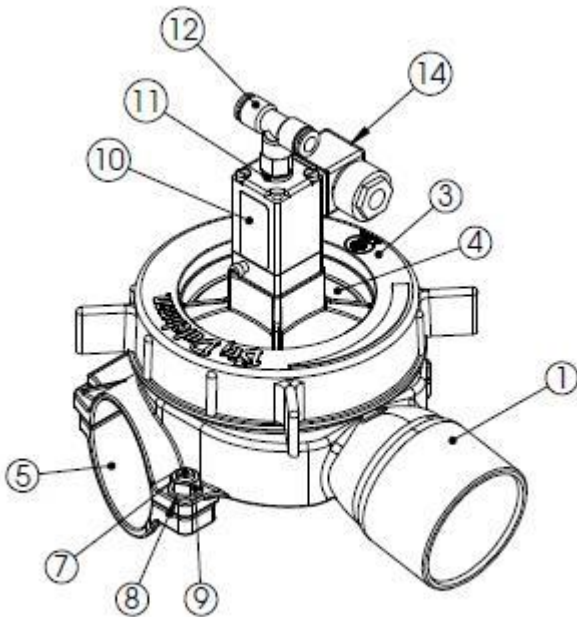


1.2 BD 10 feeding valve



Pos	Pcs.	Item no.	Text	Order
1	1	99-50-3828	U-bolt galv 6x70/137/200	
2	1	20-50-1196	Diaphragm - rubber 10-hole AGM	
3	1	20-50-1181	Solenoid valve 24V AC 50hz f/feed valve without acc	
4	1	46-01-7353	Diode In4007	
5	1	46-05-0211	Plug f/Solenoid Valve F-Valve	
6	8	99-10-3818	Hexagon head screw M6x30 DIN 933 SSt	
7	2	20-50-1179	Reinforcing-ring half for feed-valve 10 holes	
8	8	99-20-1602	Washer SST A 6,4 DIN 125	
9	8	99-20-1102	Hexagon nut M 6 SST DIN934	
10	1	20-50-1158	T-piece 63id-1 1/1½"/63 PVC	
11	1	99-40-1079	T-piece M8/thread 1/8" inner.	

1.3 BD ValWet feeding valve



Pos	Pcs.	Item no.	Text	Order
1	1	20-50-3331	Body of valve round 90° ValWet	
2	1	20-50-3338	Diaphragm - NBR round for feed-valve ValWet	
3	1	20-50-3334	Screw cap for body of valve ValWet	
4	1	20-50-3335	Cover for body of valve ValWet	
5	1	20-50-3333	Half shell for body of valve ValWet	
6	1	20-50-3332	O-ring 44,0x3,0 NBR for body of valve ValWet	
7	2	99-20-1417	Hexagon head screw M8x25 DIN 933	
8	2	99-20-1600	Washer SST A8,4 DIN 125	
9	2	99-20-1176	Hexagon nut M8 SST DIN 934	
10	1	20-50-1181	Solenoid valve 24V AC 50hz f/feed valve without acc.	
11	1	99-40-3583	Gasket 1/8" Nylon	
12	1	99-40-1079	T-piece 8/6mm to 1/8" pivotable, pluggable plastic PA	
13	1	99-30-3107	Junction box valve cables	
14	1	20-50-1191	Plug with cable for solenoid valve with gasket and washer	

1.3.1 Valves

1.3.2 Return valve BD4 with fittings assembled



Item no: 46-14-5644

1.3.3 Flow valve 2" with out Solenoid valve



Item no: 46-05-0403

1.3.4 Flow Valve 2" w/Fittings



Item no: 46-90-0123

1.3.5 Slanted seat valve pneumatic



Item no: 83-04-9069



1.3.6 Solenoid valve SIRAI 24V 50Hz cpl M&M/B



Item no: 46-51-0016

1.3.7 Top for Adlib sensor incl. spade plug



Item no: 46-72-0051

2 PVC fittings

2.1 PVC fittings

2.1.1 Elbow 90°



Item no: 99-40-3738
Ø50mm

Item no: 20-50-1068
Ø63mm

2.1.2 Angle 45°



Item no: 99-40-3747
Ø50mm

Item no: 20-50-3714
Ø63mm

2.1.3 Angle 90°

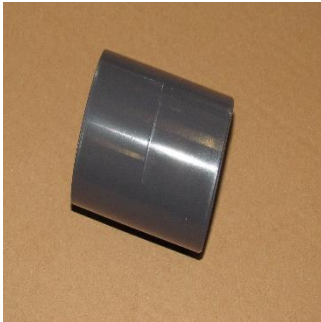


Item no: 99-40-3739
Ø50mm

Item no: 20-50-1052
Ø63mm

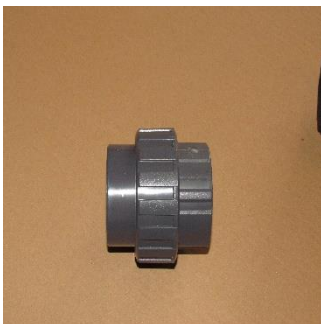


2.1.4 Socket



Item no: 99-40-3733 Ø50mm	Item no: 20-50-1051 Ø63mm
------------------------------	------------------------------

2.1.5 Screw union



Item no: 99-40-3734 Ø50mm	Item no: 20-50-1053 Ø63mm
------------------------------	------------------------------

2.1.6 Y-piece 63 - 45°



Item no: 99-40-3724 Ø50mm	Item no: 99-40-3794 Ø63mm
------------------------------	------------------------------

2.1.7 T-piece 63/50/63



Item no: 99-40-3799 Ø63mm



2.1.8 T-piece 63/63/63 PVC



Item no: 99-40-3735 Ø50mm	Item no: 21-00-0493 Ø63mm
------------------------------	------------------------------

2.1.9 T-piece 3x 45 °



Item no: 99-40-3745 Ø50mm	Item no: 20-50-3713 Ø63mm
------------------------------	------------------------------

2.1.10 T-piece 63/1½ "/63



Item no: 20-50-1158 Ø63mm

2.1.11 Cap



Item no: 99-40-3720 Ø50mm	Item no: 99-40-3728 Ø63mm
------------------------------	------------------------------



2.1.12 T-piece 63/1½ "/b3



Item no: 46-09-0302
Ø63mm

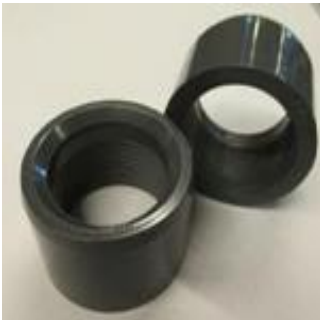
2.1.13 Adapter nipple



Item no: 46-09-0307
Ø50-1½"

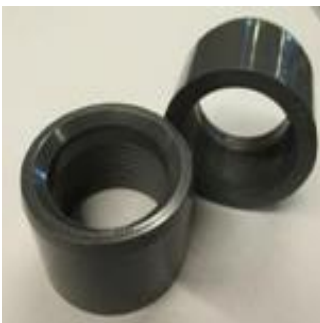
Item no: 20-50-1057
Ø63-2"

2.1.14 Threaded Sleeve, full thread



Item no: 46-09-0303
63/1½ fuld gevind

2.1.15 Threaded Sleeve, reduced thread



Item no: 46-09-0306
63/1½ reduceret gevind



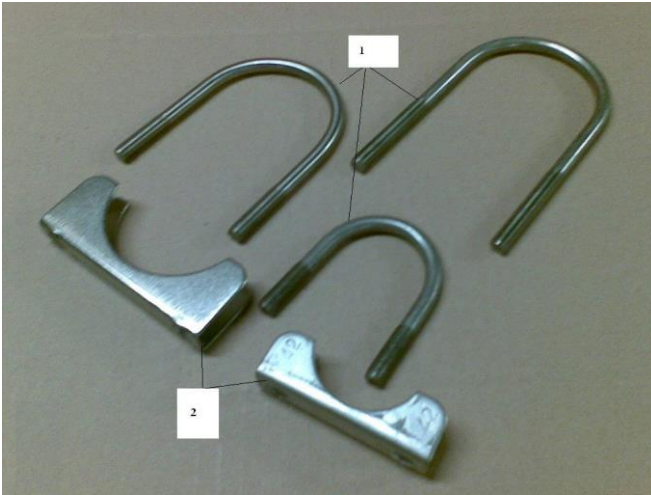
2.1.16 Reduction, 75l x 63l (for drop pipe)



Item no: 99-40-3807

3 Supports, U-bolts

3.1 U-Bolt and Bottom



Pos	Pcs.	Item no.	Text	Order
1	1	46-10-0156	U-Bolt M8x50x28 Galv. 3/4"	
1	1	99-50-3053	U-Bolt M8x55x35 SST (1")	
1	1	46-10-0140	U-Bolt M8x120x33 SST.	
1	1	46-10-0108	U-Bolt M8x65x42 SST.	
1	1	46-10-0137	U-Bolt M8x74x48 SST.	
1	1	46-10-0114	U-Bolt M8x95x48 SST.	
1	1	46-10-0131	U-Bolt M8x110x48 SST.	
1	1	46-10-0141	U-Bolt M8x120x48 SST.	
1	1	46-10-0143	U-Bolt M8x95x65 SST.	
1	1	46-91-0230	U-Bolt SST M8x95-120x65 SST.	
1	1	46-10-0147	U-Bolt M8x150x65 SST.	
1	1	46-10-0136	U-Bolt M8x120x80 SST.	
2	1	46-10-0124	Bottom Timber 28mm Galv.	
2	1	46-10-0121	Bottom Timber 35mm Galv.	
2	1	46-10-0149	Bottom Segment 42mm SST.	
2	1	46-10-0148	Bottom Segment 48mm SST.	
2	1	46-10-0117	U-Bolt Holder 65mm SST.	
2	1	46-15-0024	Bottom segment double u/bolt 1" 75mm	

3.2 Wall supports

3.2.1 Wall Bracket for 1 pipe



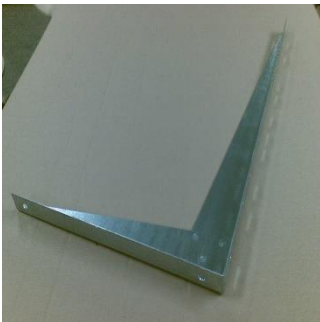
Item no: 46-10-0103

3.2.2 Wall Bracket for 2 pipes



Item no: 46-54-1949

3.2.3 Wall Bracket for 4 pipes



Item no: 46-54-1948

3.2.4 Wall Bracket f/Drop Pipe 120mm



Item no: 46-51-0925



3.2.5 Wall bracket Norma, SST.



Item no: 46-10-0105 50mm	Item no: 46-10-0106 63mm
-----------------------------	-----------------------------

4 Mix tanks

4.1 Mix tank 4-8000 litre

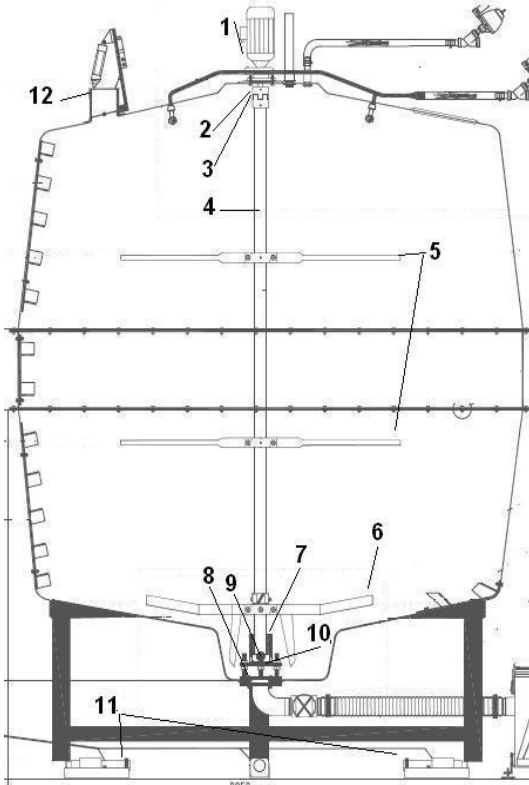


Table on next page.

Pos	Pcs.	Item no.	Text	Order
1	1		Gearmotor (Different size, read Kw on existing)	
2	1	20-51-3093	Star-coupling d40/25"	
2	1	46-06-0616	Star-coupling d50/35	
3	1	46-06-0618	Toothed Rim f/star-coupling T/38 (d40)	
3	1	46-06-0619	Toothed Rim f/star-coupling T/42 (d50)	
3	1	46-06-0625	Toothed Rim f/star-coupling T/48 (d60)	
4	1		Shaft (Different size, exact length, diameter and tank size)	
5	1		Stirre vings(Different numbers, exact how many and tank size)	
6	1		Lowest stirre vings and the tigler	
7	1	46-06-0406	Bushing f/ground bearing D40	
7	1	46-06-0409	Bushing f/ground bearing D50	
7	1	46-06-0407	Bushing f/ground bearing D60	
8	1	46-14-5487	Ground bearing SST D40-50	
9	1	83-01-4896	Ball SST 28mm for shaft 60mm	
10	1	46-06-0408	Plate f/ground bearing D40/50 SST.	
10	1	46-06-0410	Plate f/Bottom Bearing D60 SST	
11	3	25-40-3023	Weight bar SB-SST 5to (B) cpl in cardboard-box	
11	3	25-40-3035	Vejecelle SB-SS-5T Rf.	
12	1	46-51-0210	Meal Inlet Flap Aut. 15deg SST	

4.1.1 Starcoupler



Item no: 20-51-3093 Ø40-25mm 2.500-4.000 liter	Item no: 46-06-0616 Ø50-35mm 5.000-10.000 liter
--	---

4.1.2 Toothed Rim / Claw Coupling T/38 or T/42



Item no: 46-06-0618 T/38	Item no: 46-06-0619 T/42
-----------------------------	-----------------------------



4.1.3 Toothed Rim / Claw Coupling T/48



Item no: 46-06-0625
T/48

4.1.4 Bushing f/ground bearing D40-50



Item no: 46-06-0406
Ø40mm

Item no: 46-06-0409
Ø50mm

4.1.5 Bushing f/ground bearing D60



Item no: 46-06-0407
Ø60mm

4.1.6 Plate f/ground bearing D40/50 SST



Item no: 46-06-0408
Ø40 - 50 mm



4.1.7 Plate f/ground bearing D60 SST



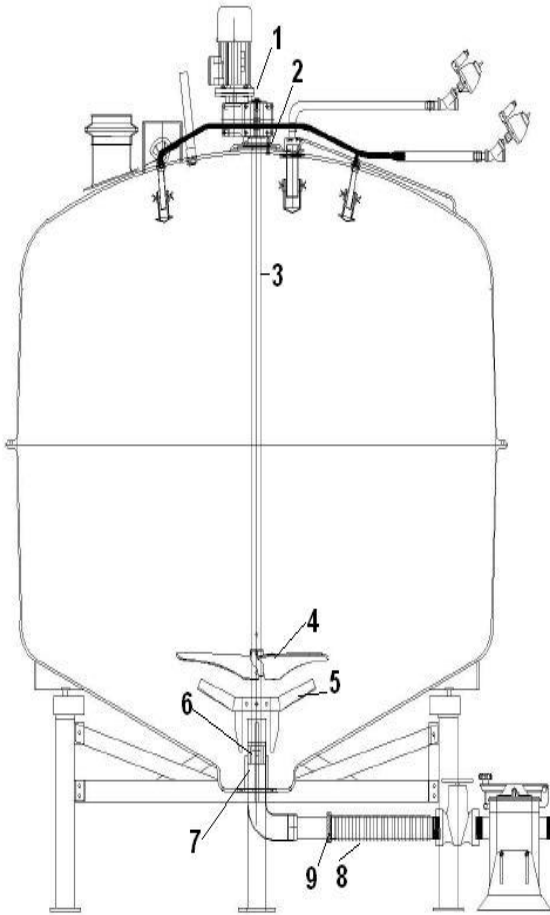
Item no: 46-06-0410
Ø60 mm

4.1.8 SST-Ball 28mm for shaft



Item no: 83-01-4896

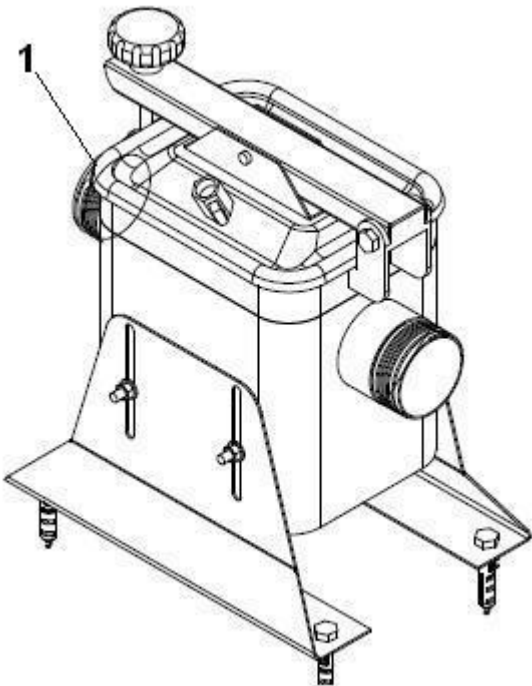
4.2 Mix tank 42-8200 litre



Pos	Pcs.	Item no.	Text	Order
1	1	46-06-0636	Gear f/Agitator 1.5 Kw 137 Rpm 2600-4200- (Høyer)	
1	1	46-06-0639	Gear motor 1,5kW Nord	
1	1	46-06-0645	Gear motor 2,2kW (Nord)	
2	1	46-07-0640	Gasket - Tank Wasch.Dev.	
3	1		Shaft (Different sizes. Measure and give in length of existing)	
4	1	46-07-0220	Propeller (Different numbers, exact how many and tank size)	
5	1	46-51-0625	Tigler D35 SST	
6	1	46-51-0601	Bushing f/ground bearing D35.15	
7	1	46-51-0620	Outlet w/Cap SST	
8	1	46-01-7193	Hose 3" Suck/Pressure	
9	2	46-05-0529	Clamp 86->91mm	
10	3	25-40-3023	Weight bar SB-SST 3to (B) cpl in cardboard box	



4.3 Separator 2½" of foreign objects with hinged cover



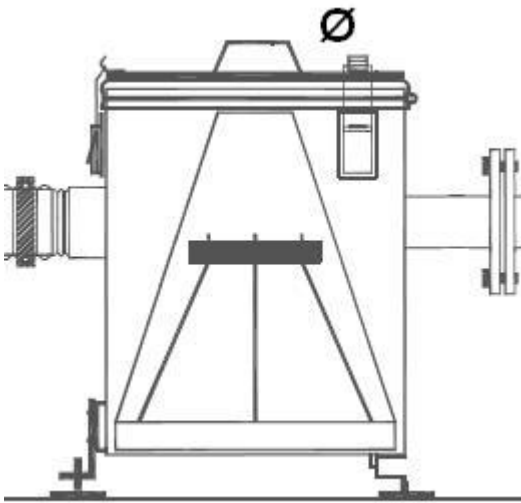
Pos	Pcs.	Item no.	Text	Order
1	1	20-50-3113	Pakning f/stenfælde Firkantet	

4.3.1 Gasket for hinged cover for separator



Item no: 20-50-3113

4.4 Stone separator Round model



Pos	Pcs.	Item no.	Text	Order
1	1	46-14-5599	Gasket f/separator of foreign objects	

4.4.1 Gasket f/separator of foreign objects



Item no: 46-14-5599

4.4.2 Clamp f/For.Metal Sepa. Gasket



Item no: 46-14-5600



4.4.3 Gasket F/Foreign Mat.Separator new D300



Item no: 46-70-0085

4.4.4 Hook SST



Item no: 46-07-0601

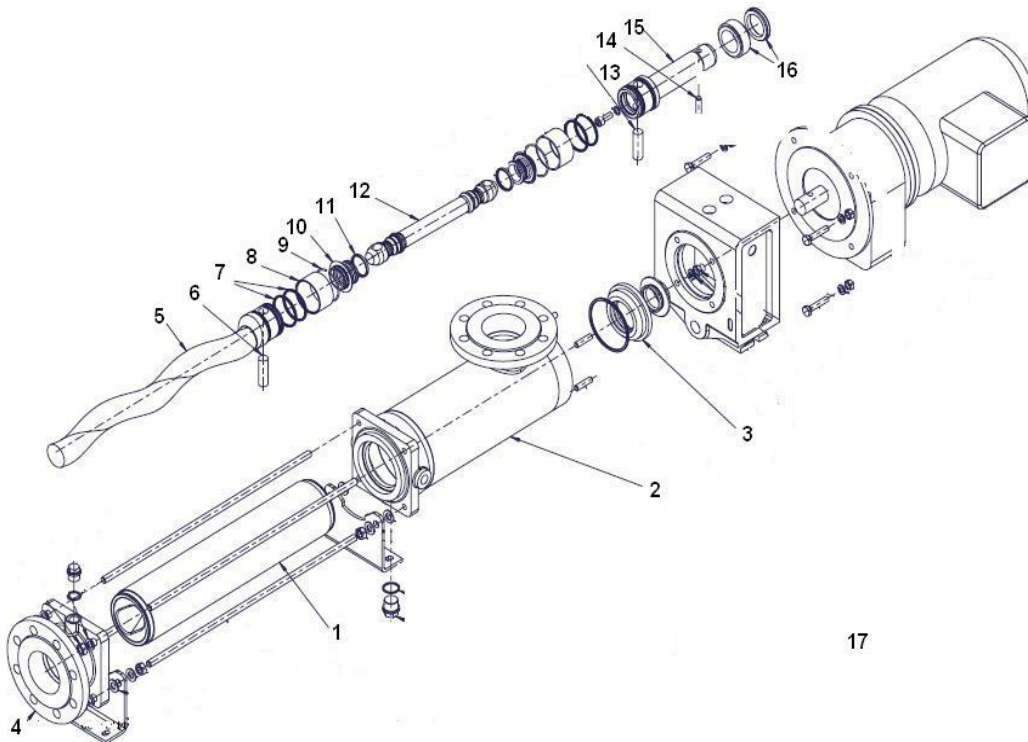
4.4.5 Lock Without Hook SST



Item no: 46-07-0602

5 Pumps

5.1 Feeding Pump Netzch M45 - L45



Pos	Pcs.	Item no.	Text	Order
1		20-50-4299	Stator - Water & Feed / M45	
1		20-50-4110	Stator - Water / L45	
2		46-52-0500	Pump body #2016 pump L45/I53 stainless	
3		46-70-0171	Connection pieces # 7005 pump L45 long model	
3		20-50-4300	Connection pieces # 7005 pump L45 short	
4		46-52-0509	Connection piece #2005 pump L45-M45 stainless	
5		20-50-4298	Rotor 1.4571 #1999 for pump M45	
6		46-91-0589	Pasbolt/cylindrical pin 18x58/ L45/M45	
7		20-50-4235	O-ring seal #8060 for pump L45-M45	
8		46-03-0706	Securing Cap 65x60x64/L-M45	
8		46-03-0707	Securing Cap 65x60x35/M45	
9		46-03-0708	Securing Cap A57xb2.5/L-M45	
10		20-50-4237	Bolt sealing SM #8235 for pump L45-M45	
11		46-03-0709	Clamping Ring / L45/M45	
12		20-50-4206	Coupling rod #1998 for pump L45	
13		46-03-0705	Cap For Cardan Joint /L45-M45	
14		46-91-0588	Pasbolt/cylindrical pin 10x58/ L45/M45	
15		20-50-4204	Connection shaft #1050 for pump L45	
16		20-50-4230	Slide Ring Gasket L45/M45 3Kw	
17		46-91-0600	Eccentric pump M45 3,00kW 230/400V	



5.1.1 End cover little model



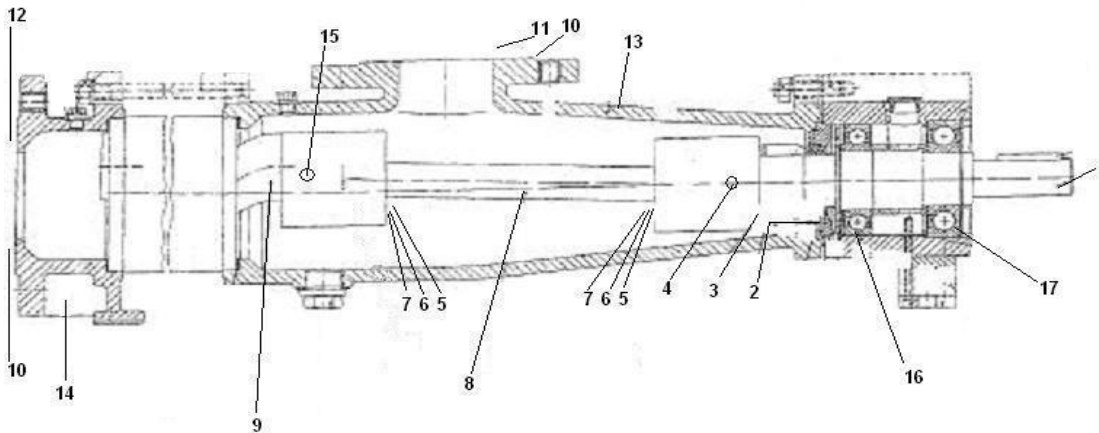
Item no: 20-50-4300

5.1.2 House for sealing I/M45 long model



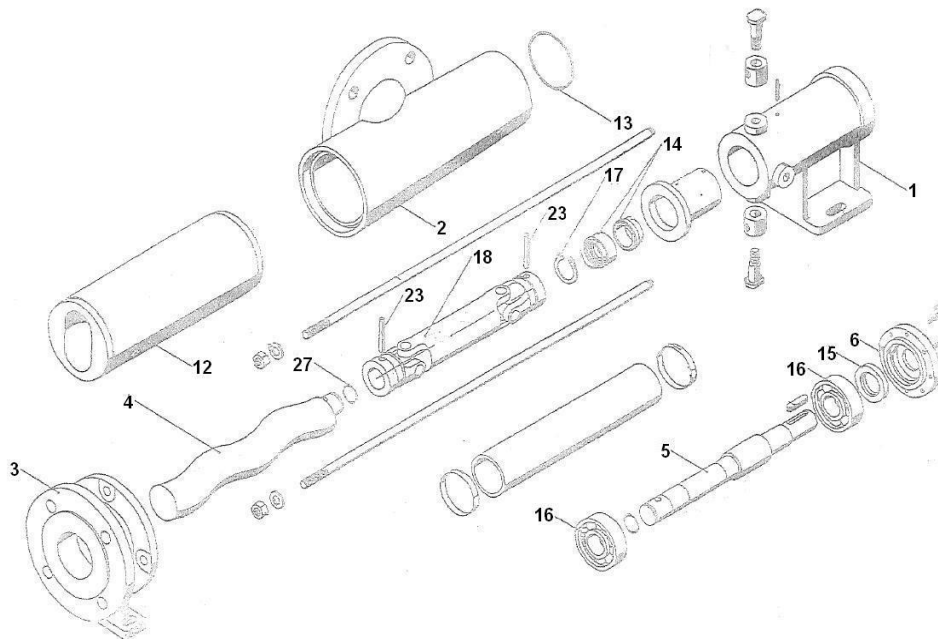
Item no: 46-70-0171

5.2 Feeding Pump Netzch NX417



Pos	Pcs.	Item no.	Text	Order
1		20-51-3750	Drive shaft lees head 1.4571 NX417	
2		21-00-0927	Axial face seal for centrifugal pump 4kW RF & NX417	
3		20-51-3753	Universal joint cap NX417	
4		46-91-0591	Pasbolt/cylindrical pin H8x65 / NX417	
5		20-51-3760	Bolt sealing SM 1.4401 NBR NX417 / L53 Pos. 8235	
6		20-51-3759	Collar 1.4571 NX417 / L53 Pos 5425	
7		20-50-4422	Retaining ring #5065 for pump L53 / NX417	
8		20-51-3751	Coupling rod B/Sm 1.4301 GA250 NX417	
9		20-51-3752	Rotor 1.4571 chromium plated NX417	
10		46-06-0403	Gasket D122x70x4mm NX417	
11		20-50-3611	Flange 2½" for NX300/BD50	
11		46-06-0418	Flange 2½" Nx417/BD50 SST	
12		20-50-3617	Flange 2" NX417/BD50	
12		46-06-0416	Flange 2" NX417/BD50 SST"	
13		20-50-3610	Stator Nx417, Water/Feed	
14		20-51-3604	End flange for NX300/Nx417	
15		46-91-0590	Pasbolt/cylinderstift 20,6x64 / NX417	
16		46-05-0620	Bearing 6209	
17		46-05-0621	Bearing 6308	
18		46-01-0524	Retaining ring DIN471 40x1.75 SST	
19		46-01-0635	Retaining ring DIN472 - 90x3	
20		46-05-0508	O-Ring 71,0X3,0Mm	
21		20-50-3030	Conversion kit from NX300 to NX417	
22		46-91-0592	Distance ring / NX417	
23		20-51-3757	Safety sleeve 76x71-62 1.4571 NX417	
24		20-51-3758	Safety sleeve 76x71-41 1.4571 NX417/L53	
25		20-51-3761	O-ring seal NBR70 29x1,5 B NX417	
26		46-05-0518	O-Ring 65.1x3.53mm/Nx417	
27		46-03-1586	Parallel key 8x7x50mm w/round ends	

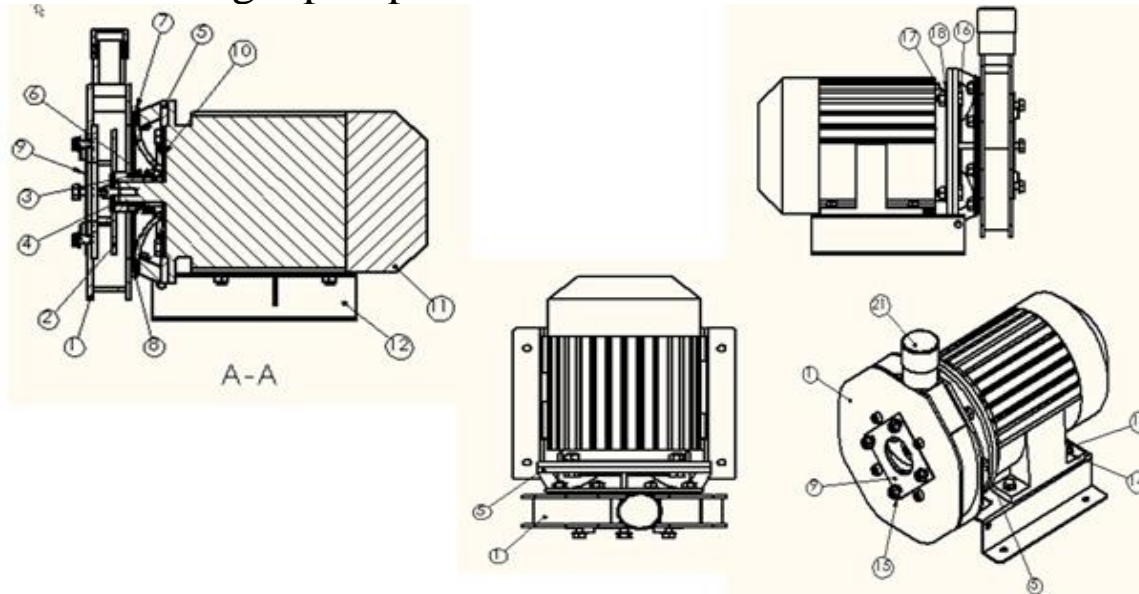
5.3 Feeding Pump BD 50



Pos	Pcs.	Item no.	Text	Order
1		20-50-3940	Housing insert 1.4301	
2		20-50-3920	Suction Houning/ BD50	
3		46-70-0720	Pressure flange BD50 stainless	
4		20-50-3922	Rotor 50.0 for pump BD50	
5		20-50-3923	Drive shaft 1.4301 for BD50	
6		20-50-3912	Bearing cover 40.12.72-8xM5 aluminium for pump 50KS/ BD50	
12		20-50-3793	Stator 440/50 for pump RO/ BD50	
12		20-50-3914	Stator ST-050.0.421.5.3 CB BD50 without pip cleaning	
14		46-03-0504	Slide Ring Gasket BD50	
16		46-03-0505	Bearing 6306-2Rs 1 / BD50	
17		46-01-0525	Retaining ring DIN471 -30x1.50 SST.	
18		46-03-0530	Cardan Joint Compl. / BD50	
23		20-50-3937	Spring dowel sleeve 8x50-st for pump BD 50	
23		46-03-1530	Spring type straight pin DIN 1481 10x50 SST	
27		20-50-3939	O-Ring 26.0x2.0mm /BD50	
28		46-01-0524	Pump BD50	



5.4 Centrifugal pump 4kW stainless steel



Pos	Pcs.	Item no.	Text	Order
1	1	21-00-0938	Pump housing, stainless steel, for 4.0 and 5.5kW pump	
2	1	21-00-0928	Impeller, SST for 4.00kW pump 50 Hz	
3	1	21-00-0927	Slide ring sealing for pump 4.0kW and 5.5kW	
4	1	21-00-0929	Assembly- and gasket for impeller centrifugal pump 4.0kW	
5	1	21-00-0924	Intermediate flange, stainless steel, for pumps 4.kW stained	
6	1	21-00-0923	Distance socket, SST for pump 4.0kW	
7	2	21-00-0925	Rubber flange seling, Perb.65, 184x220x2	
8	1	21-00-0926	Rubber flange sealing, Perb.65, 220x184x1	
9	1	21-00-0232	Rubber flange sealong, Chemigum 65, 120x120x2.0mm with insert for 4.0kW and 5.5kW pump	
10	1	21-00-0922	extrusion plate, SST, 3mm for 4.0kW pump	
11	1	21-00-1190	Three-phase A.C. motor, 4.0kW, B3/B5/250 3000 1/min, 220-230/380-420V 50/60Hz	
12	1	21-00-0940	Motor bracket, SSt, for 4.0kW pump BD-model	
13	4	99-20-1416	Hexagon head screw M 10x30 SST DIN933	
14	16	99-20-1601	Washer SST A 10.5 DIN 125	
15	16	99-20-1500	Hexagon nut M10 SST DIN 934	
16	4	99-20-1456	Hexagon screw M 12x35 DIN 933 SST	
17	4	99-20-1501	Hexagon nut M12 SST DIN 934	
18	4	21-00-0901	Spring washer B 12.0 DIN 127-SST	
19	1	21-00-0939	Safety guard galvanized for 4.0kW pump.	
20	1	21-00-0942	Plug GPN 600 B790 pump intake side	
21	1	21-00-0943	Cap plastic for for 2" tubes GPN 250/60	
22	2	21-00-0921	Height adapter, PVC, 190x50x25mm for feed pump 4.0+5.5kW	

6 Special pumps and flow meter for acid

6.1 Husky Acid pump



Pos	Pcs.	Item no.	Text	Order
1	1	46-77-0841	Pump Husky 205	
2	1	46-70-0993	Pump Husky 205 D250A1 complete with connection	
3	1	46-91-1431	Kit f/pump Husky 205 (fluid)	
4	1	46-91-1430	Kit f/air valve f/pump Husky 205	

6.1.1 Kit f/pump Husky 205 (fluid)



Item no: 46-91-1431

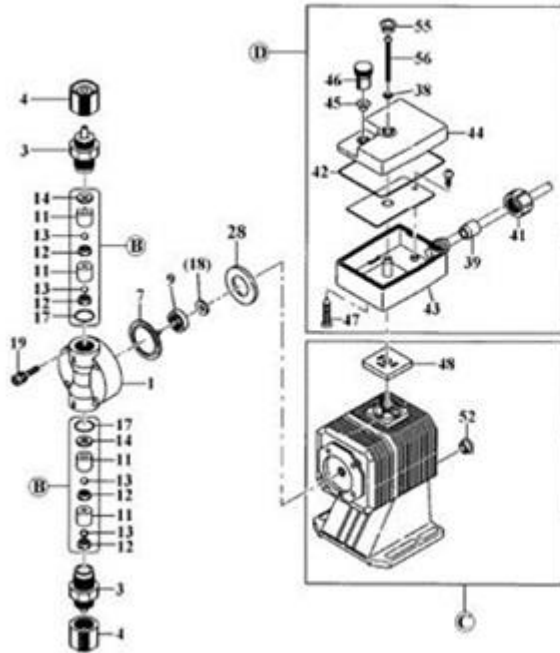
6.1.2 Kit f/pump Husky 205 (fluid)



Item no: 46-91-1430

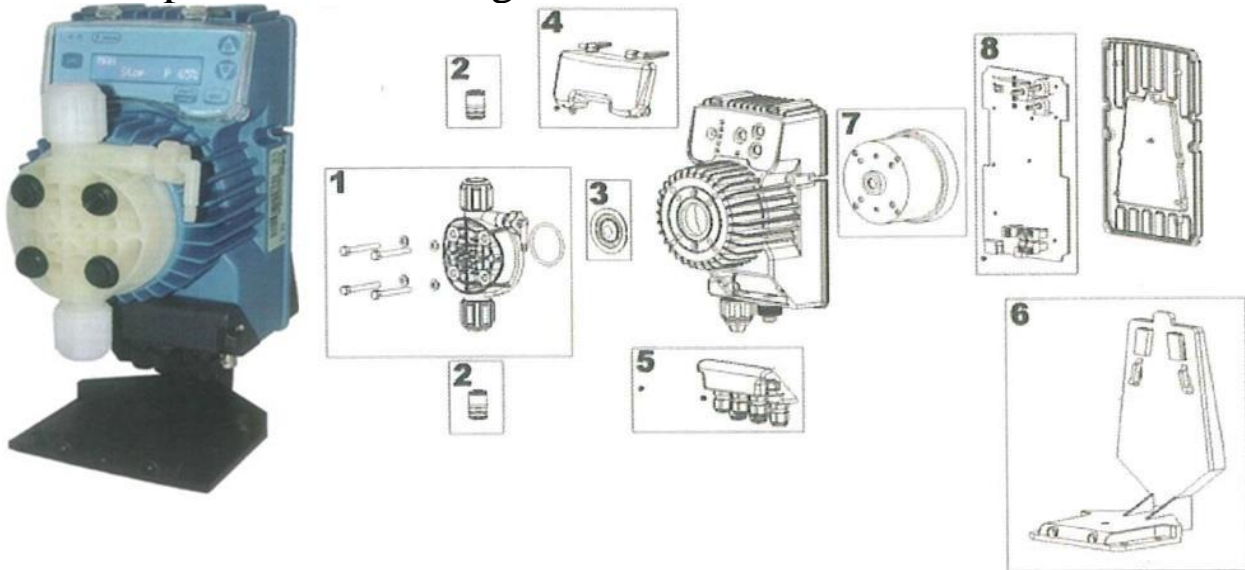


6.2 Spareparts for little 20 liter formic acid pump



Pos	Pcs.	Item no.	Text	Order
11	1	46-13-5666	Non-Return Valve set for formic acid pump	

6.3 Pump Formic acid, big model



Pos	Pcs.	Item no.	Text	Order
1	1	46-13-5674	Pump f/Acid Seko Apg 803	
2	1	46-14-5435	Pump f/acid Seko w/water meter	
3	1	46-72-0041	Bottom valve FSE-5 (9x12) of EPDM/HC	
4	1	46-05-0349	Repair set for 803 formic acid pump	

6.3.1 Bottom valve FSE-5 (9x12) of EPDM/HC



Item no: 46-72-0041

6.3.2 Repair set f/803 formic acid pump



Item no: 46-05-0349

6.4 Hose pump for formic acid and soap



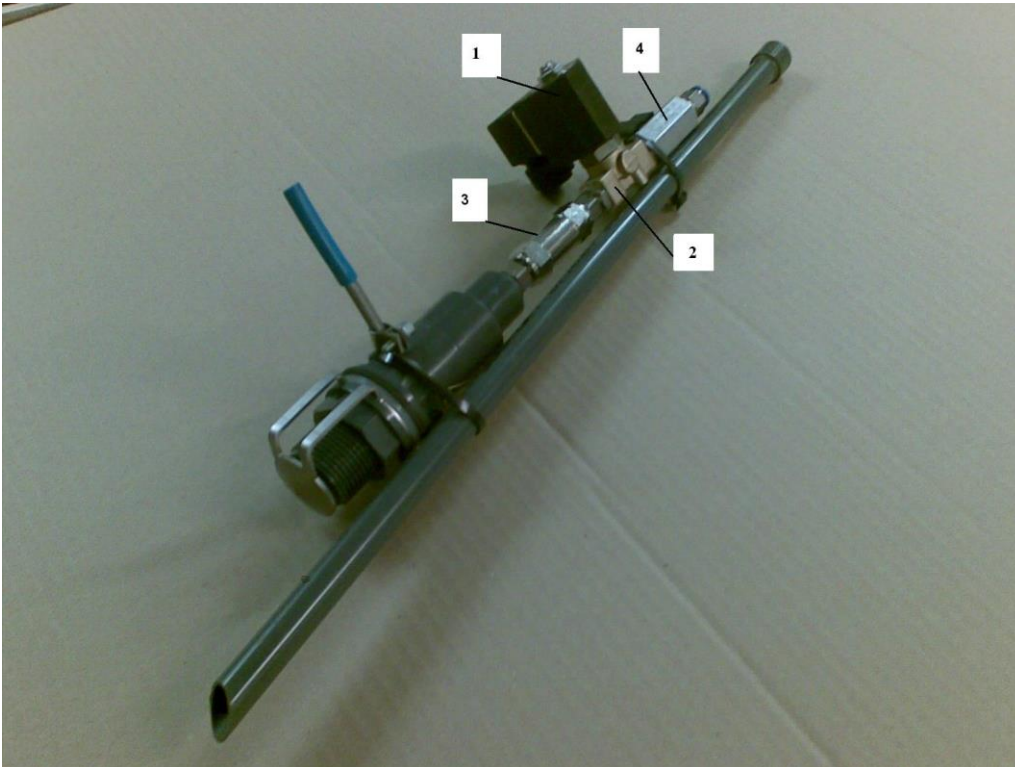
Pos	Pcs.	Item no.	Text	Order
1	1	46-91-1599	Pump SEKO cplt. 230 V f/formic acid and soap	
2	1	46-91-1585	Hose set f/SEKO pump sekoflex (PSH)	

6.5 Flowmeter Metal



Pos	Pcs.	Item no.	Text	Order
1	1	46-05-0355	Water Meter 1 1/4" 4 Puls/L Nom. flow 5m ³ /t, max flow 10m ³	
2	1	46-05-0356	Water Meter 1 1/2" 4 Puls Pr. L Nominal flow 10m ³ /t max flow 20m ³ /t	
3	1	46-70-0209	Water meter 2" SEKO 4 Puls Nom flow 15m ³ /t max flow 30m ³ /t	

6.6 Acid Atomizer 24V Ac Dk

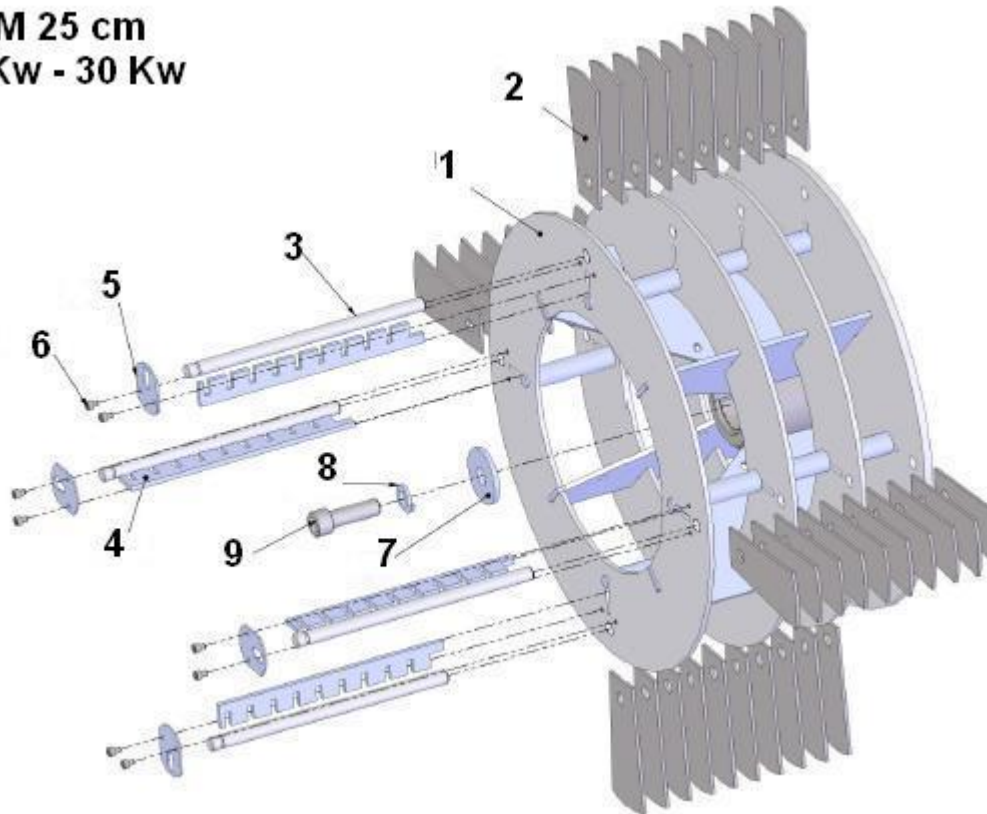


Pos	Pcs.	Item no.	Text	Order
1	1	46-70-0186	Spool F/solenoid valve 1/4" 4mm 24/50-60 acid atom.	
2	1	46-70-0187	Solenoid Valve 1/4" 4mm 24/50-60 acid atomizer	
3	1	46-91-0644	Non-Return 1/4"	
4	1	99-40-3580	Air shut-off valve w/handlever 5/16" for air pipe 8/6"	
5	1	46-14-5507	Acid Atomizer 24V AC DK complete	
6	1	46-72-0506	Acid Atomizer 24V DC DK complete	

7 Mills and filtre system

7.1 MBM Mill rotor 25 cm

MBM 25 cm
22 Kw - 30 Kw



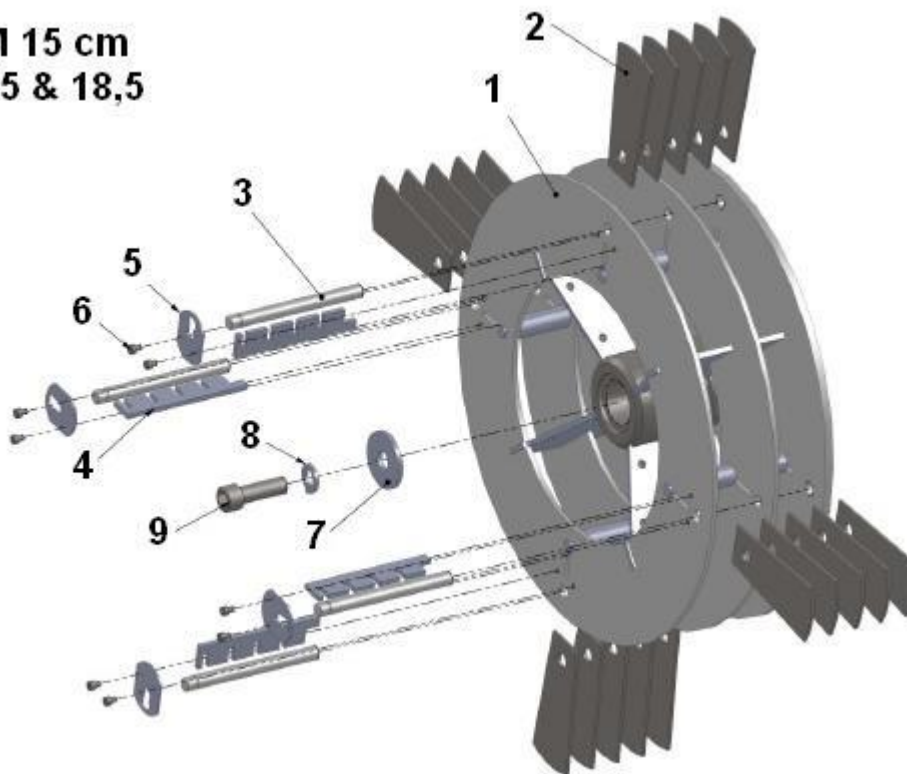
Pos	Pcs.	Item no.	Text	Order
1	1	46-72-0085	Rotor MBM 25 - 48mm shaft complete with frame plates (22kW)	
1	1	46-72-0086	Rotor MBM 25 - 55mm shaft complete with frame plates (30kW)	
2	1	46-72-1103	Hammers MBM-25 special steel 40 pcs M&M	
3	1	46-72-0339	Hammer bolts MBM-25 4pcs.	
4	4	46-51-0746	Rotor Suction 25	
5	4	46-70-0758	Rotor Suction Locking Plate, SST	
6	8	46-01-0813	Hexagon socket head cap screw M 5x 8 DIN 912 12.9	
7	1	46-51-0753	Rotor Suction	
8	1	46-01-0818	Spring Washer D16 DIN 7980	
9	1	46-01-0814	Hexagon socket countersunk head screw M 16x50 DIN 7991 12.9	
10	1	46-72-1101	Hammer bolt set w/hammers special & bolt MBM-25 (22-45KW) M&M pos. 2,3,5,6 is in the set	
11	1	46-72-0605	Grinding sieve complete with fixture MBM-25	
12	1	46-52-0311	MBM inlet tooth plate	

7.2 MBM 25 solde

Pos	Pcs.	Item no.	Text	Order
1	1	46-91-0391	Perforated plate MBM-25 D=0.75mm M&M	
2	1	46-91-0390	Perforated plate MBM-25 D=1.0mm M&M	
3	1	46-70-0343	Perforated plate MBM-25 D=1.5mm M&M	
4	1	46-70-0156	Perforated plate MBM-25 D=1.75m M&M	
5	1	46-51-0181	Perforated plate MBM-25 D=2.0mm M&M	
6	1	46-72-0365	Perforated plate MBM-25 2.5mm D=2.0mm INDUSTRY M&M	
7	1	46-70-0267	Perforated plate MBM-25 2,00mm D=2.25mm M&M	
8	1	46-72-0361	Perforated plate MBM-25 2.5mm D=2.25mm INDUSTRY M&M	
9	1	46-51-0183	Perforated plate MBM-25 D=2.5mm M&M	
10	1	46-72-0363	Perforated plate MBM-25 3.00mm D=2.5mm INDUSTRY M&M	
11	1	46-51-0185	Perforated plate MBM-25 D=3.0mm M&M	
12	1	46-72-0469	Perforated plate MBM-25 D=3.0mm 40% air M&M	
13	1	46-51-0187	Perforated plate MBM-25 D=3.5mm M&M	
14		46-91-0595	Perforated plate MBM-25 3.5mm D=4.0mm INDUSTRY M&M	
15	1	46-51-0189	Perforated plate MBM-25 D=4.0mm M&M	
16	1	46-95-0098	Perforated plate MBM-25 4.00mm D=3.0mm M&M	
17		46-91-0596	Perforated plate MBM-25 4.0mm D=5.0mm INDUSTRY M&M	
18	1	46-51-0191	Perforated plate MBM-25 D=5.0mm M&M	
19	1	46-72-0287	Perforated plate MBM-25 D=8.0mm M&M	
20	1	46-74-0006	Wire mesh screen 2.0mm for mill MBM 25	

7.3 MBM Mill rotor 15 cm

MBM 15 cm
11, 15 & 18,5
Kw

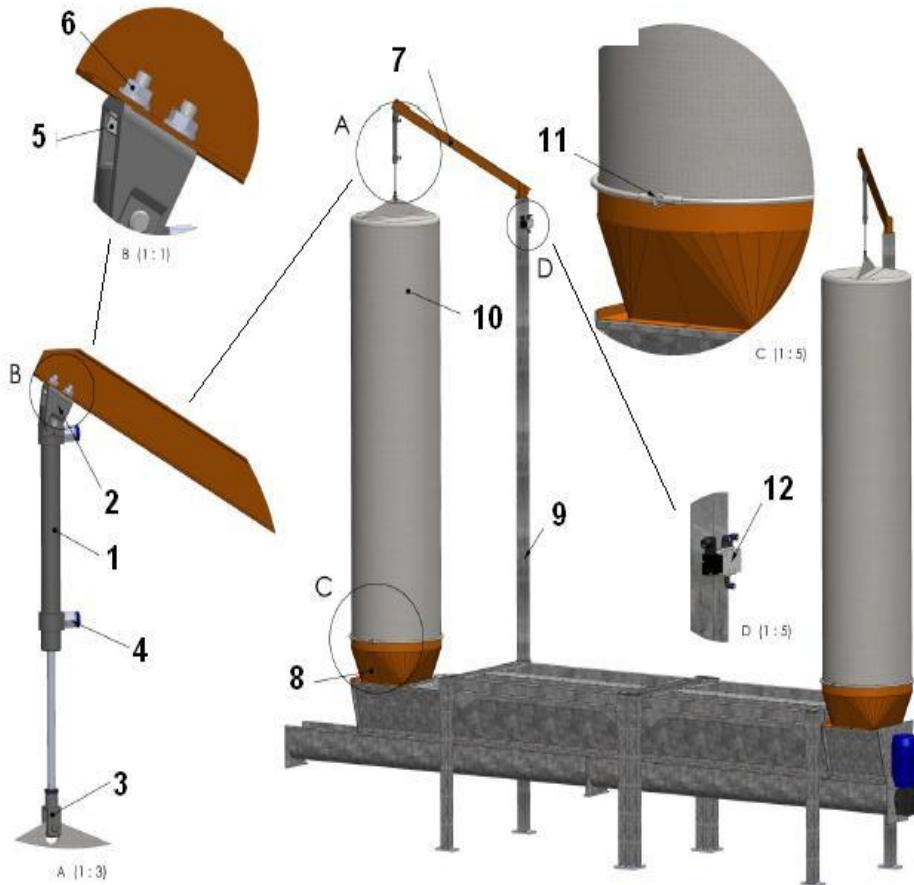


Pos	Pcs.	Item no.	Text	Order
1	1	46-72-0084	Rotor MBM-15 - 42mm shaft complete with frame plates	
2	1	46-72-1102	Hammers MBM-15 special steel 20 pcs M&M	
3	1	46-72-0338	Hammerbolts MBM-15 4 pcs.	
4	4	46-51-0711	Rotor Suction 15 hammer cam	
5	4	46-70-0758	Rotor Suction Locking Plate, SST	
6	8	46-01-0813	Hexagon socket head cap screw M 5x 8 DIN 912 12.9	
7	1	46-51-0753	Rotor Suction	
8	1	46-01-0818	Spring Washer D16 DIN 7980	
9	1	46-01-0814	Hexagon socket countersunk head screw M 16x50DIN7991 12.9.	
10	1	46-72-1100	Hammer bolt set w/hammers special & Bolts MBM-15 (11-18,5KW)pos. 2,3,5,6 is in the set.	
11	1	46-72-0604	Grinding sieve complete with fixture MBM-15	
12	1	46-52-0311	MBM inlet tooth plate	

7.4 MBM 15 solde

Pos	Pcs.	Item no.	Text	Order
1	1	46-70-0342	Perforated plate MBM-15 D=1.5mm M&M	
2	1	46-70-0295	Perforated plate MBM-15 D=1.75mm M&M	
3	1	46-51-0180	Perforated plate MBM-15 D=2.0mm M&M	
4	1	46-72-0364	Perforated plate MBM-15 2.5mm D=2.0mm INDUSTRY M&M	
5	1	46-72-0360	Perforated plate MBM-15 2.5mm D=2.25mm INDUSTRY M&M	
6	1	46-70-0296	Perforated plate MBM-15 2.00mm D=2.25mm M&M	
7	1	46-51-0182	Perforated plate MBM-15 D=2.5mm M&M	
8	1	46-72-0362	Perforated plate MBM-15 3.00mm D=2.5mm INDUSTRY M&M	
9	1	46-51-0184	Perforated plate MBM-15 D=3.0mm M&M	
10	1	46-72-0470	Perforated plate MBM-15 D=3.0mm 40% air M&M	
11		46-91-0560	Perforated plate MBM-15 4.00mm D=3.0mm M&M Industry	
12	1	46-51-0186	Perforated plate MBM-15 3.5mm D=4.0mm INDUSTRY M&M	
13		46-91-0593	Perforated plate MBM-15 D=4.0mm M&M	
14	1	46-51-0188	Perforated plate MBM-15 D=5.0mm M&M	
15	1	46-51-0190	Perforated plate MBM-15 D=5.0mm M&M	
16		46-91-0594	Perforated plate MBM-15 4.0mm D=5.0mm INDUSTRY M&M	
17	1	46-72-0286	Perforated plate MBM-15 D=8.0mm M&M	

7.5 MBM filters for MBM mill



Pos	Pcs.	Item no.	Text	Order
1	2	46-72-0553	Air Cylinder D20-125 PPS-A	
2	2	46-51-0701	Bearing Frame LBN-20/25	
3	2	46-51-0702	Fork M8 for air cylinder	
4	4	83-04-6624	Screw union W 8/6-1/8"	
5	4	46-01-0764	Hexagon flange bolt M 6x 16 DIN 6921 galv	
6	4	46-01-0763	Hexagon flange nut M 6 galv DIN 6923	
7	2	46-51-0710	Filter Hanger	
8	2	46-51-0720	Transition 280x280 to D500	
9	2	46-51-0789	MBM Leg 3000mm	
10	3	46-51-0712	Filter Bag D500x2000mm	
11	2	46-51-0724	Clamping ring D500 2mm galv.	
12	1	46-05-0292	Solenoid Valve 5/2 24V 50hz with plug	

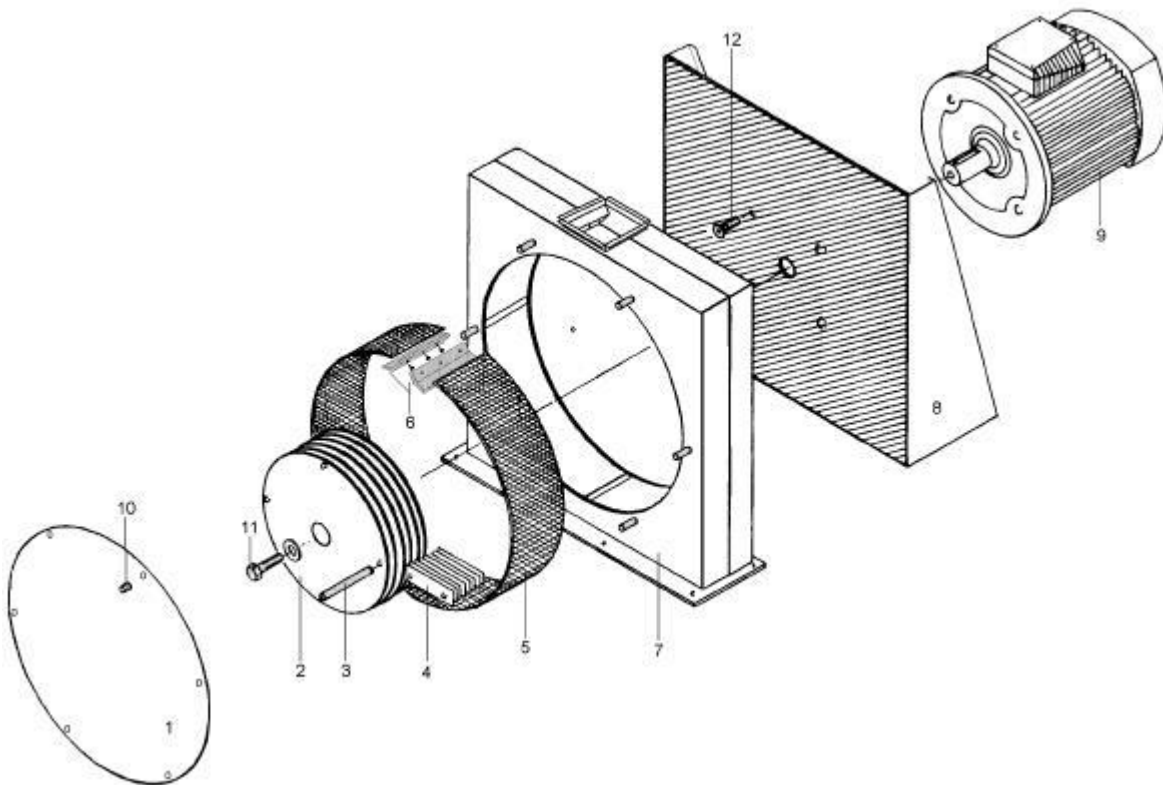
7.6 Filter bags for DustFilter and DustBuster filter system



Pos	Pcs.	Item no.	Text	Order
1	1	46-91-1374	Filter bags 9 pcs Ø131 DustBuster XXL BDS M&M	
2	1	46-72-1609	Filter bag D310x800 DustBuster / DustFilter	
3	1	46-51-0712	Filter bag D500x2000mm MBM M&M	
4	1	83-03-7426	Filter bag D160x600 M&M	



7.7 BDS mill type 2, 15 cm



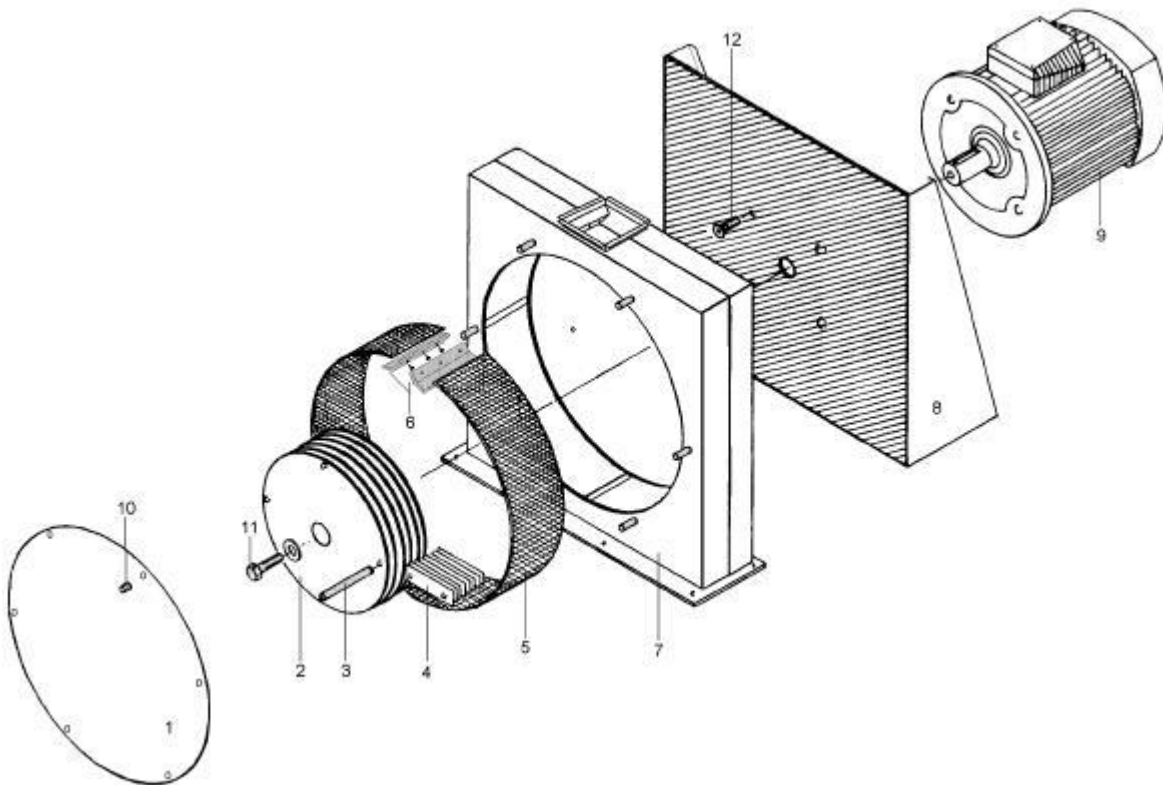
Pos	Pcs.	Item no.	Text	Order
1	1	46-02-0599	Front Cover f/BDS Mill Type II	
2	1	83-03-7585	Rotor BDS mill BD15 42mm	
3	1	83-03-7576	Hammer bolt f/mill BDS 11+15KW M&M set/ 4pieces	
4	1	46-91-0315	Hammers f/mill 11+15kw BDS Raex 3mm D12 M&M, 20 pieces	
6	2	83-03-7588	Bracket for wire mesh screen f/mill BDS 11+15KW	
9	1		Motor (Different size, read Kw on existing)	

7.8 BDS mill type 2, 15 Screen

Pos	Pcs.	Item no.	Text	Order
1		46-70-0347	Perforated plate D=1.75mm type 2 for mill BDS 11+15KW M&M	
2	1	83-04-2243	Perforated plate 2,0mm D=2,0 type 2 for mill BDS 11+15KW	
3	1	46-95-0070	Perforated plate 2,0mm D=2,25mm type 2 for mill BDS11+15kW	
4	1	83-03-7544	Perforated plate 2,0mm D=2,5mm type 2 for mill BDS11+15KW	
5	1	83-03-7545	Perforated plate 3,0mm D=3,0mm type 2 for mill BDS 11+15KW	
6	1	83-03-7527	Perforated plate 3,0mm D=3,5mm type 2 for mill BDS 11+15KW	
7	1	83-03-7526	Perforated plate 3,0mm D=4,0mm type 2 for mill BDS 11+15KW	
8	1	83-06-7273	Perforated plate D=6.0mm type 2 M&M	
9	1	46-95-0070	Perforated plate D=2.25mm BD-15	
10	1	83-03-7598	Wire mesh screen 2,00mm for mill BDS 11+15KW	
11	1	83-03-7589	Wire mesh screen 2,50mm for mill BDS 11+15KW	
12	1	83-03-7590	Wire mesh screen 3,00mm for mill BDS 11+15KW	
13	1	83-03-7591	Wire mesh screen 3,50mm for mill BDS 11+15KW	
14	1	83-03-7592	Wire mesh screen 4,00mm for mill BDS 11+15KW	
15	1	83-03-7593	Wire mesh screen 4,50mm for mill BDS 11+15KW	



7.9 BDS mill type BD 20, 20 cm

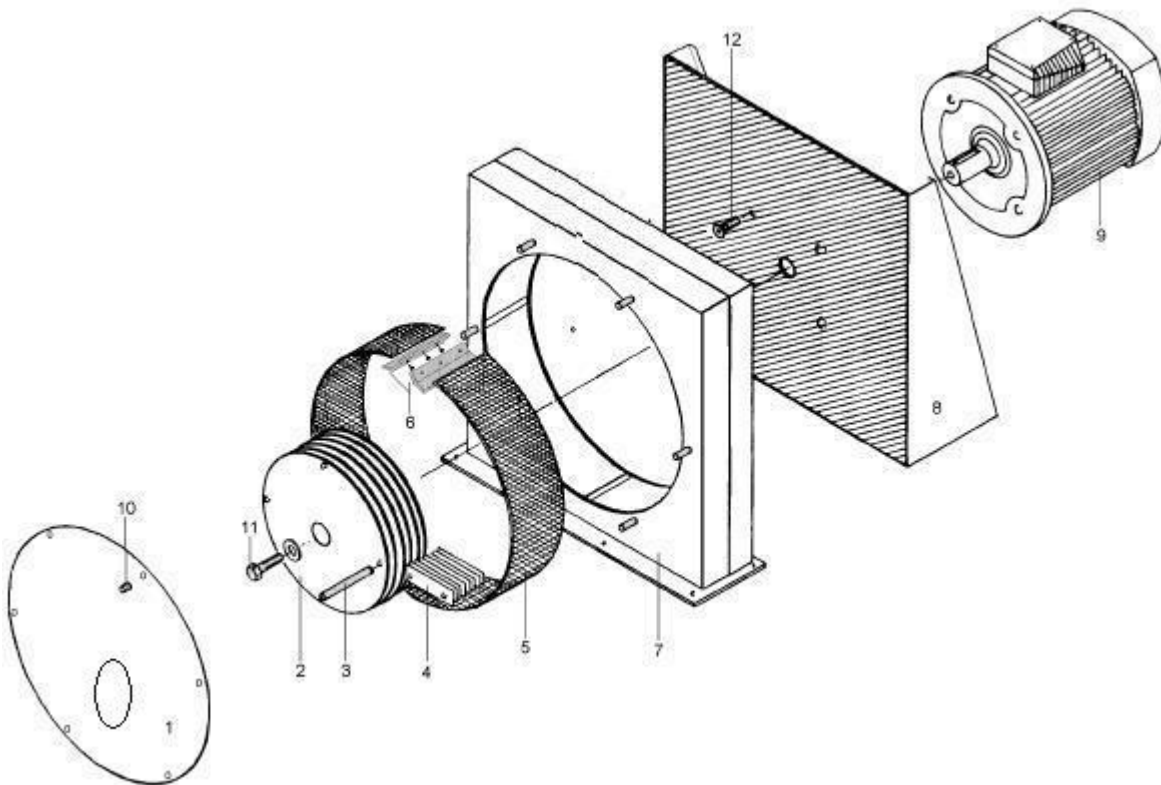


Pos	Pcs.	Item no.	Text	Order
1	1	46-02-0599	Front Cover f/BDS Mill Type II	
2	1	83-03-7608	BD20 Rotor ϕ 48	
3	1	83-03-7596	Hammer bolts BD-20 With screws BDS	
4	1	46-91-0316	Hammers f/mill 22.00kw BDS Raex 3mm D12 M&M, 32 pieces	
6		83-03-7587	Bracket for wire mesh screen f/mill BDS 22KW	
10	1		Motor (Different size, read Kw on existing)	

7.10 BDS mill type 2, 20 Screen

Pos	Pcs.	Item no.	Text	Order
1	1	49-72-0442	Perforated plate D=1.5mm BD-20 M&M	
2	1	46-70-0348	Perforated plate D=1.75mm BD-20 M&M	
3	1	83-06-7274	Perforated plate D=2,0mm BD-20	
4	1	83-06-7275	Perforated plate D=2,5mm BD-20	
5	1	83-06-7272	Perforated plate D=3,0mm BD-20	
6	1	46-13-0592	Perforated plate D=3.5mm BD-20	
7	1	46-72-0675	Perforated plate type 2,-20 D=4.0mm	
8				
9	1	83-04-2552	Wire mesh screen 2,0mm for mill BDS 22KW	
10	1	83-03-7575	Wire mesh screen 2,5mm for mill BDS 22KW	
11	1	83-03-7569	Wire mesh screen 3,0mm for mill BDS 22KW	
12	1	83-05-2104	Wire mesh screen 3.5mm for mill BDS 22KW	
13	1	83-05-2105	Wire mesh screen type 2,-20 D=4.0mm for mill BDS 22.00kW M&M	
14	1	83-05-2106	Wire mesh screen type 2,-20 D=4.5mm for mill BDS 22.00kW M&M	
15	1	83-05-2108	Wire mesh screen type 2,-20 D=5.0mm for mill BDS 22.00kW M&M	

7.11 BDS mill type 1, 15 cm



Pos	Pcs.	Item no.	Text	Order
1	1	46-02-0608	Front Cover f/BDS Mill Type I	
2	1	83-03-7585	Rotor BDS mill BD15 42mm	
3	1	83-03-7576	Hammer bolts BD-15 mill BDS	
4	1	46-91-0315	Hammers f/mill 11+15kw BDS Raex 3mm D12 M&M, 20 pieces	
6	2	46-13-0659	Bracket for wire mesh screen BDS Type 1	
10	1		Motor (Different size, read Kw on existing)	

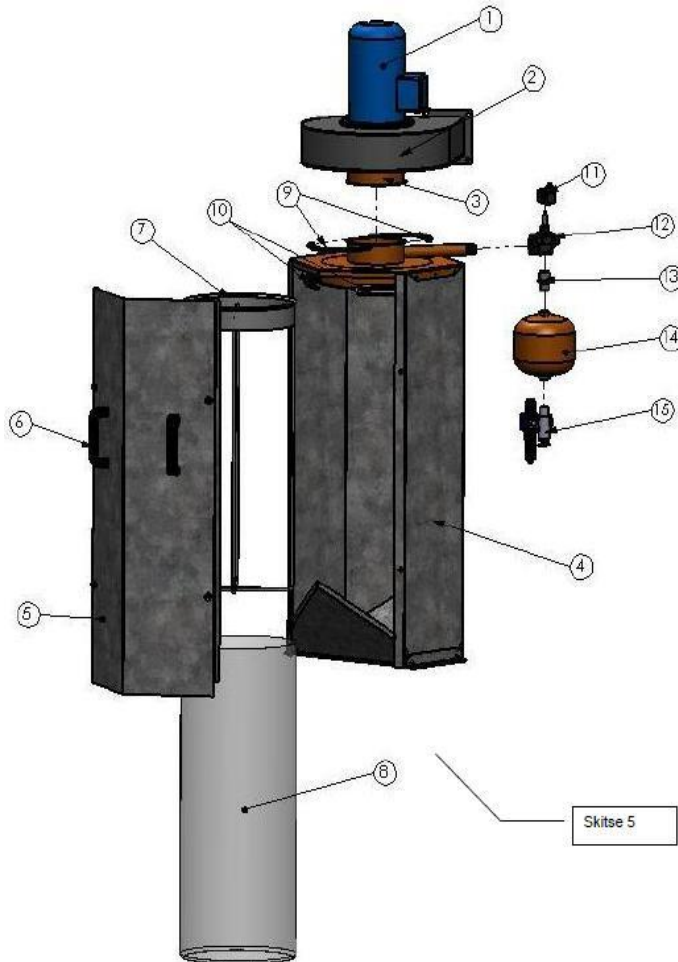


7.12 BDS mill type 1, 15 Screen

Pos	Pcs.	Item no.	Text	Order
1	1	46-70-0345	Screen (plate) D1.75mm TYP1 M&M	
2	1	46-13-0695	Perforated plate 2.0mm D=2.0mm for mill TYP1 M&M	
3	1	46-81-0438	Perforated plate BD15 2.5mm D=2.25mm INDUSTRY M&M	
4	1	83-03-7539	Perforated plate 2.0mm D=2.5mm for mill TYP1 M&M	
5	1	83-03-7540	Perforated plate 3.0mm D=3.0mm for mill BDS M&M	
6	1	83-03-7560	Perforated plate 3.0mm D=3.5mm for mill BDS M&M	
7	1	83-03-7543	Perforated plate 3.0mm D=4.0mm for mill BDS M&M	
8	1	46-13-0683	Wire mesh screen BDS 2.0mm T1	
9	1	46-13-0681	Wire mesh screen BDS 2.5mm T1	
10	1	46-13-0680	Wire mesh screen BDS 3.0mm T1	
11	1	46-13-0642	Wire mesh screen BDS 3.5mm T1	
12	1	46-13-0643	Wire mesh screen BDS 4.0mm T1	
13	1	46-13-0644	Wire mesh screen BDS 4.5mm T1	

8 Milling system

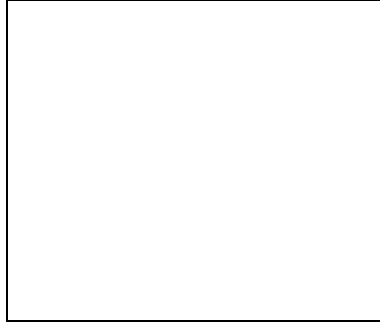
8.1 BDS Polygon / Dust Buster Easy



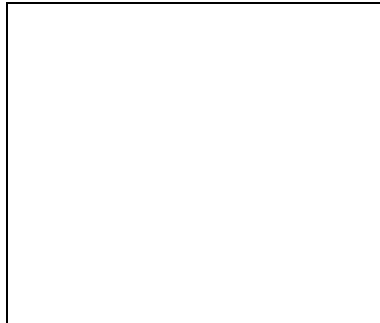
Pos	Pcs.	Item no.	Text	Order
1	1	46-02-0697	Motor flange filter system P M&M	
2	1	83-05-4320	Blower 0,75 Kw cpl filter system Dust Buster M&M	
3	1	46-02-0679	Spacer Filter System Polygon	
4	1	46-02-0700	Filter System Parts (Purchase)	
5	1	46-02-0687	Door Filter System Polygon	
6	2	46-02-0690	Door Handle Filter System Poly	
7	1	83-05-4304	Frame for filter bag D300x800 M&M	
8	1	83-05-4319	Filter D300x800 M&M	
9	1	83-03-5984	Tension ring D150 M&M	
10	1	46-02-0682	Quick Coupl. dia300 No packaging	
11	1	83-05-4314	Solenoid valve for Dust Buster M&	
12	1			
13	1	83-05-4324	Red double nipple 3/4" - 1/2" galv M%M	
14	1	83-05-4315	Pressure tank 2l M&M	
15	1	46-02-0633	Pressure tank 2L M&M rust/brown	

8.2 BDS suction filter

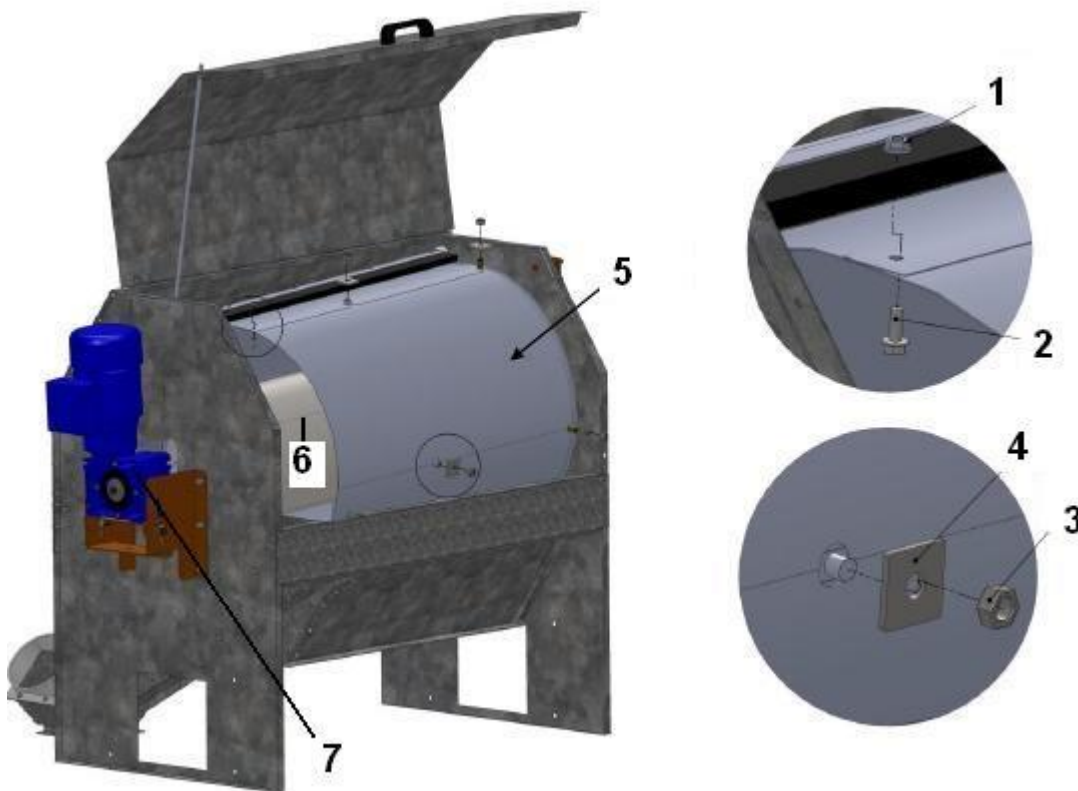
8.2.1 Filter connections type 1



8.2.2 Filter connections type 2

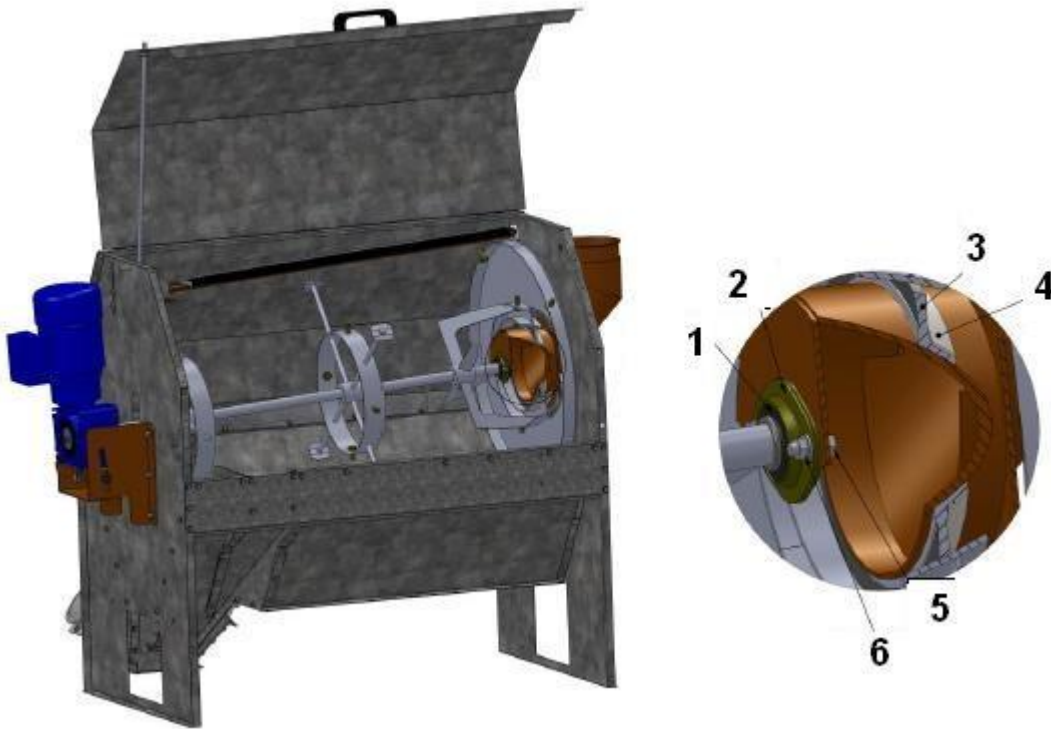


8.3 MBM Drum cleaner



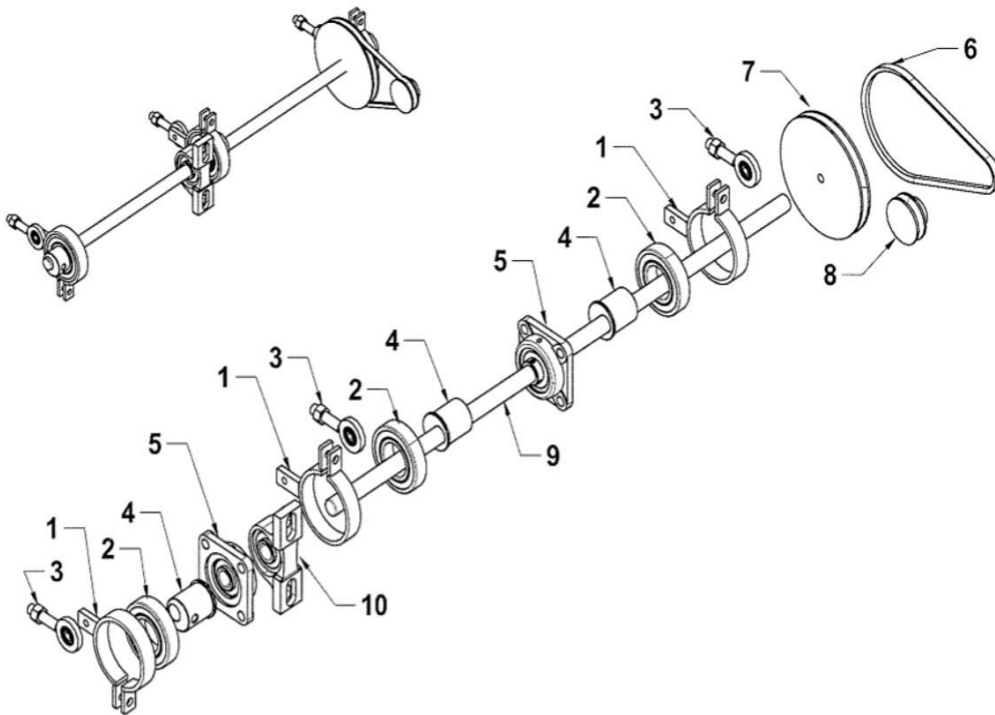
Pos	Pcs.	Item no.	Text	Order
1	2	46-01-0764	Hexagon flange bolt M 6x 16 DIN 6921 galv	
2	2	46-01-0763	Hexagon flange nut M 6 galv DIN 6923	
3	8	99-20-1032	Hexagon Nut M12 galv DIN 934-8	
4	8	46-01-0325	Screen Outside 1x20/Dr.Cl.Set	
5	1	46-52-0205	Screen Outs.1.5x20/Dr.T1 Set	
5	1	46-52-0206	Screen Outs.1.25x20/Dr.T1 Set	
5	1	46-52-0207	Screen Outs.1.5x20/Dr.T1 Set	
6	1	46-52-0208	Screen Inner 10x10/Drum cleaner T1 Set	
6	1	46-52-0209	Screen Inner 7x40-45deg /Dr. Set	
7	1	46-70-0008	Mot-g 60:1 0.55KW f/cleaner	

8.4 MBM Drum cleaner inner



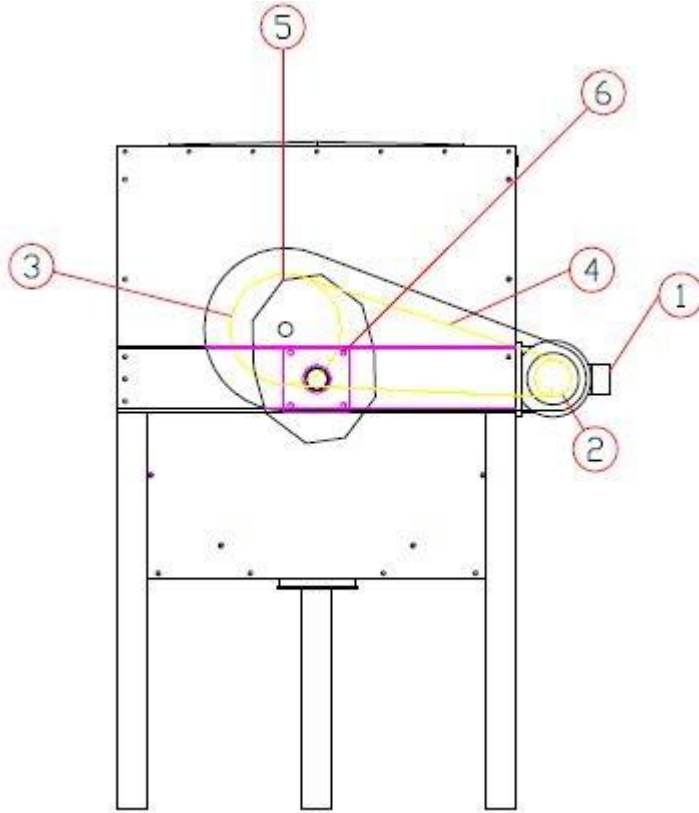
Pos	Pcs.	Item no.	Text	Order
1	1	46-05-0601	Bearing 205 Skf Yat	
2	1	46-05-0602	Bearing Housing PTF 52 M&M	
3	1	46-51-0176	Strip brush Flex Pa6 black 20mm 25m	
4	1	46-05-0532	Clamp 170-190/12-C7 W1	
5	2	46-01-0765	Hexagon flange bolt M 8x 20 DIN 6921 galv	
6	2	46-01-0761	Hexagon flange nut M 8 galv DIN 6923	

8.5 Drive parts RM3



Pos	Pcs.	Item no.	Text	Order
1	3	83-03-7520	Bearing	
2	3	46-05-0627	Bearing 6208-2RS	
3	3	46-70-0706	Bearing bolt with bearing (bearing 608 2RS)	
4	3	46-91-1335	Eccentric ring	
5	2	81-32-7517	Flange bearing UCF204	
6	1	83-03-5713	V-belt Z23	
7	1	46-72-0492	V-belt pulley, large	
8	1	46-91-1334	V-belt pulley, small	
9	1	46-70-0371	Shaft	
10	1	81-32-7518	Bearing UCP20	

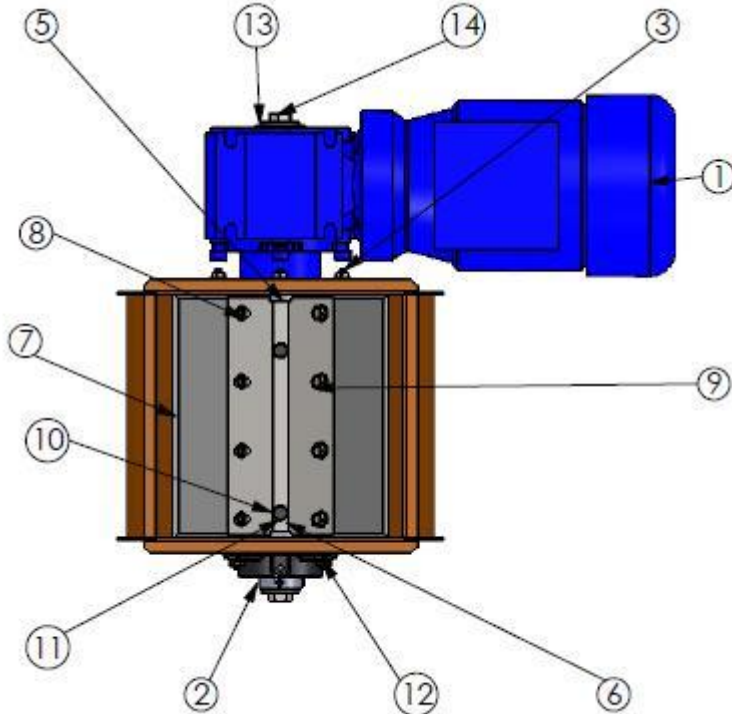
8.6 BDS 2000 l mixer



Pos	Pcs.	Item no.	Text	Order
1	1	83-03-8011	Electric motor 7,50KW 230/400 50/60 1400/1680t M&M	
2	1	1-008-003-38	Small belt wheel	
3	1	1-003-004-38	Large belt wheel	
4	4	46-12-0140	V-Belt A77 Volcopower 1990Mm	
5	1	83-03-5706	Gearbox for dry feed mixer 2000L M&M	
6	1	83-03-8049	Flange Bearing Housing Fws 50	
6	1	83-03-8050	Bearing Hc212 R3/Flange Fws 50	
6	1	83-03-8047	Flange Bearing Housing Fws 60	
6	1	83-03-8048	Bearing Hc212 R3/Flange Fws 60	

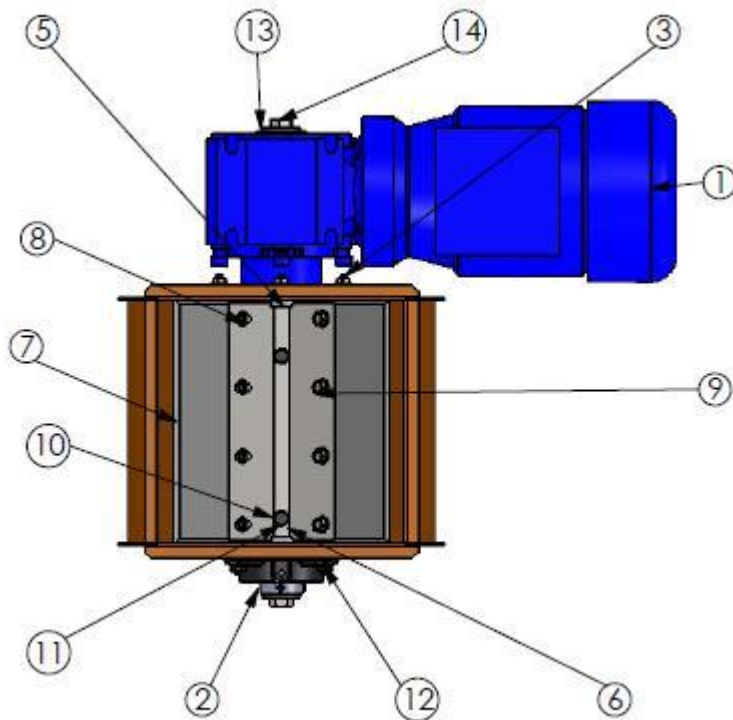
9 Rotary valve

9.1 Rotary valve BDS Q20



Pos	Pcs.	Item no.	Text	Order
1	1	46-70-0020	Worm Gear 40:1 0.55Kw for rotary valve	
2	1	46-05-0601	Bearing 205 Skf Yat	
2	1	46-05-0637	Bearing Housing Fy505M	
3	1	46-52-0250	Rotary valve housing Q20 M&M	
4	1	46-52-0254	Rotary valve shaft Q20 M&M	
5	2	46-52-0256	Bushing for rotary valve	
6	2	46-52-0255	Rotary valve shaft wing Q20 M&M	
7	4	46-52-0257	Rubber flap for rotary valve Q20	

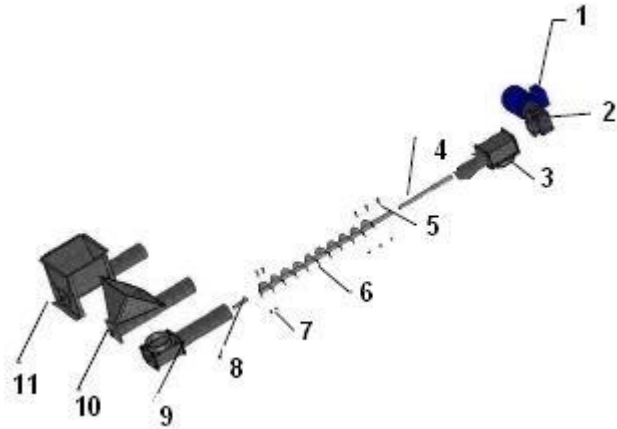
9.2 Rotary valve BDS Q24



Pos	Pcs.	Item no.	Text	Order
1	1	46-70-0020	Worm Gear 40:1 0.55Kw for rotary valve	
2	1	46-05-0601	Bearing 205 Skf Yat	
2	1	46-05-0637	Bearing Housing Fy505M	
3	1	46-52-0461	Rotary valve housing Q24 M&M	
4	1	46-52-0465	Rotary valve shaft Q24 M&M	
5	2	46-52-0256	Bushing for rotary valve	
6	2	46-52-0466	Rotary valve shaft wing Q24 M&M	
7	4	46-52-0468	Rubber flap for rotary valve Q24	

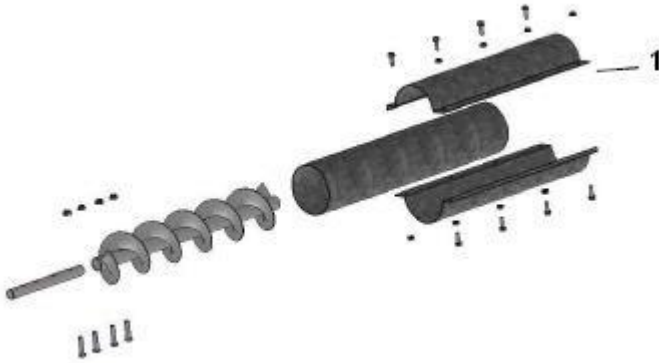
10 Augers

10.1 Motor with gear 15:1/1,1 Kw/50-1400 (95 o/min)



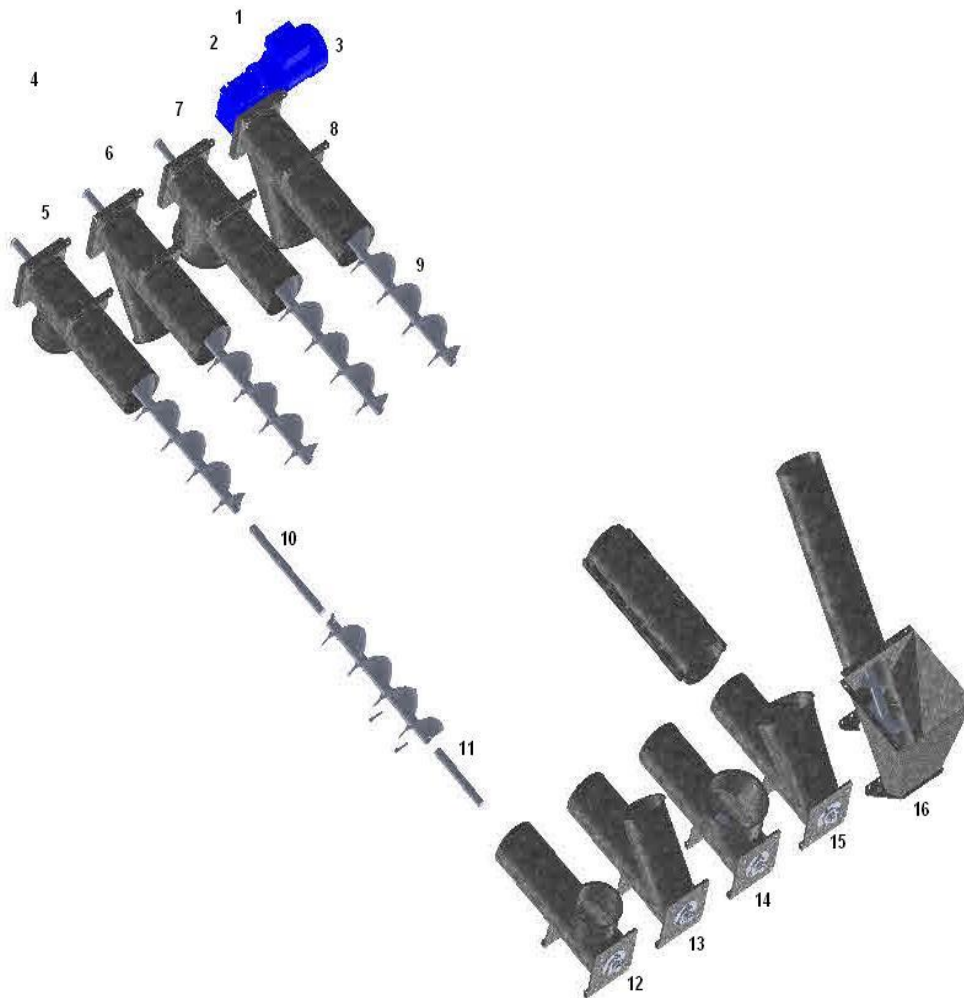
Pos	Pcs.	Item no.	Text	Order
1	1	83-03-5687	Motor with gear 15:1/1,1 Kw/50-1400 (95 o/min)	
2	1	46-02-0518	Motor 1.1KW 1400/Auger drive M&M	
1	1	83-04-2298	Motor with gear 15:1/1,5 Kw/50-2800 (187 o/min)	
2	1	83-06-8247	Motor 1.5kW 2800rpm for worm gear pair M&M	
1	1	83-03-5689	Motor with gear 7:1/1,5 Kw/50-2800 (400 o/min)	
2	1	83-03-5694	Mot-g 2,2Kw 7:1 1400 U152/B	
1	1	83-03-5692	Mot-g 2,20 230/400 50 7:1 for trough auger M&M	
2	1	83-03-8017	Motor 2.2KW 2800 M&M	
3	1	83-06-4293	Mill outlet 102mm-d85/d27 for gearbox M&M	
4	1	46-70-0068	Shaft 102mm-D85-D27/Hopper 102 Gear with bolts New	
5	3	46-01-0799	Hexagon socket head cap screw M 8x35 DIN7984 galv	
6	3	99-20-1064	Self-locking counter nut M 8 DIN 985-6 galv	
7	1	83-04-4820	Volution for tube auger 102mm Dia 85-27 M&M	
9a	1	46-71-0193	Shaft (end) 102mm dia 85/27 for auger RS 102mm M&M	
10a	1	46-14-0918	Indløb 102mm-Ø150/B	
11a	1	83-06-4290	Downgate 300x300 102mm-D85/D27 45deg M&M	
12a	1	83-06-4291	Downgate 300x300 102mm-d85/d27 M&M	
9b	1	83-03-7535	Shaft (End) D18x100 f/102mm M&M	
10b	1	83-06-4292	Downgate d150mm 102mm-d85/d27 M&M	
11b	1	83-03-7941	Down gate 102mm 45deg 300x300	
12b	1	46-14-0915	Down gate 102mm 300x300	
13	1	83-03-7476	Bearing housing with socket 102mm M&M	

10.2 BDS 102 mm Auger extra length



Pos	Pcs.	Item no.	Text	Order
1	1	83-06-4294	Extension 0.5m 102mm-d85/d27 M&M	
1	1	83-06-4295	Extension 1.0m 102mm-d85/d27 M&M	
1	1	83-06-4296	Extension 2.0m 102mm-d85/d27 M&M	
1	1	83-06-4297	Extension 3.0m 102mm-d85/d27 M&M	
1	1	83-03-7902	Extension 0.50m for auger M102 M&M	
1	1	83-03-7907	Extension 1.00m for auger M102 M&M	
1	1	83-03-7904	Extension 2.00m for auger M102 M&M	
1	1	46-14-0804	Extension D102mm 3.0m with flange M&M	

10.3 BDS 152 mm Auger



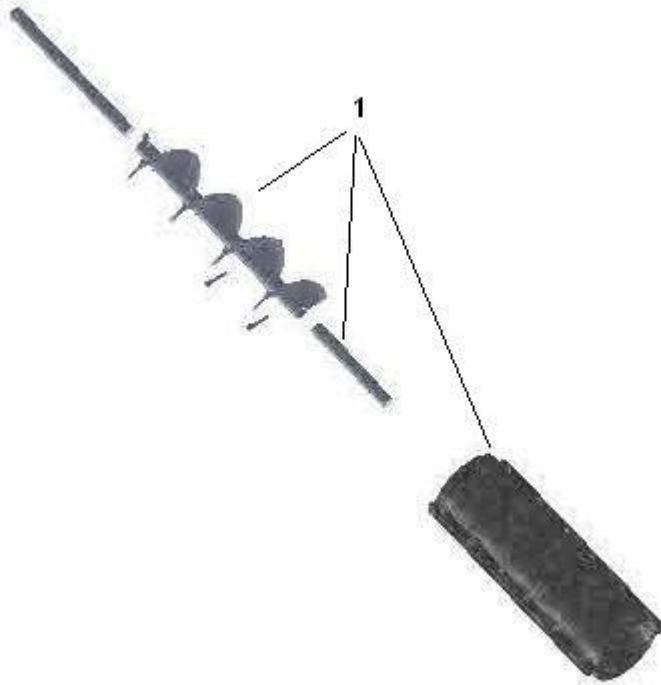
Pos	Pcs.	Item no.	Text	Order
1	1	83-03-5692	Mot-g 2,20 230/400 50 7:1 for trough auger M&M	
2	1		gear	
3	1	83-06-4293	Mill outlet 102mm-d85/d27 for gearbox M&M	
4	1	46-13-5168	Shaft / 152mm gear M&M	
5	1	83-06-2205	Outlet tube auger M152 D150 90deg wo/mot-g M&M	
6a	1	46-71-0252	Outlet tube auger M152 D150 45deg wo/mot-g M&M	
7a	1	46-71-0253	Outlet tube auger M152 D200 90deg wo/mot-g M&M	
8a	1	46-71-0254	Outlet tube auger M152 D200 45deg wo/mot-g M&M	
6b	1	46-13-5572	Extension 1.0m 102mm-d85/d27 M&M	
7b	1	46-13-5573	Drive f/auger M152 d200 worm gear 3.0KW M&M	
8b	1	46-13-5574	Drive f/auger M152 d200 worm gear 4.0KW M&M	
10	1	46-13-5167	Shaft/152mm	
11	1	46-13-5185	End Shaft f/152M	
12	1	83-06-2244	Inlet tube auger M152 D150 45° without gear motor M&M	

Table continued on next page



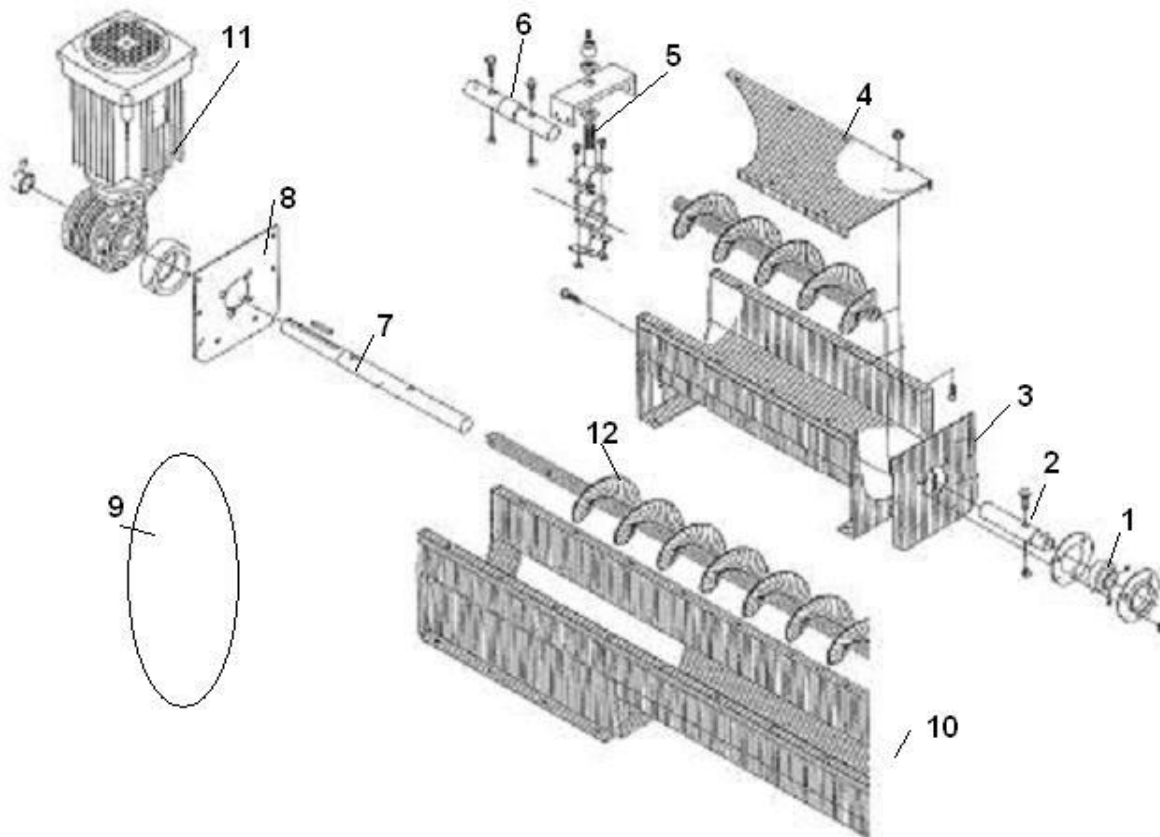
13	1	46-81-0068	Down gate 152mm D200 B	
14	1	46-13-6092	Inflow box 300x300 45deg for tube auger M152 M&M	
16	1	83-06-2199	Down gate 152mm 300x300	
17	1	46-71-0242	Down gate 152mm 300x300	
18	1	46-71-0243	Indløb 152mm lige 300X300 reduceret/B	
19	1	46-71-0244	Indløb 152mm 45° 300X300 reduceret B/B	

10.4 BDS 152 mm extra Auger



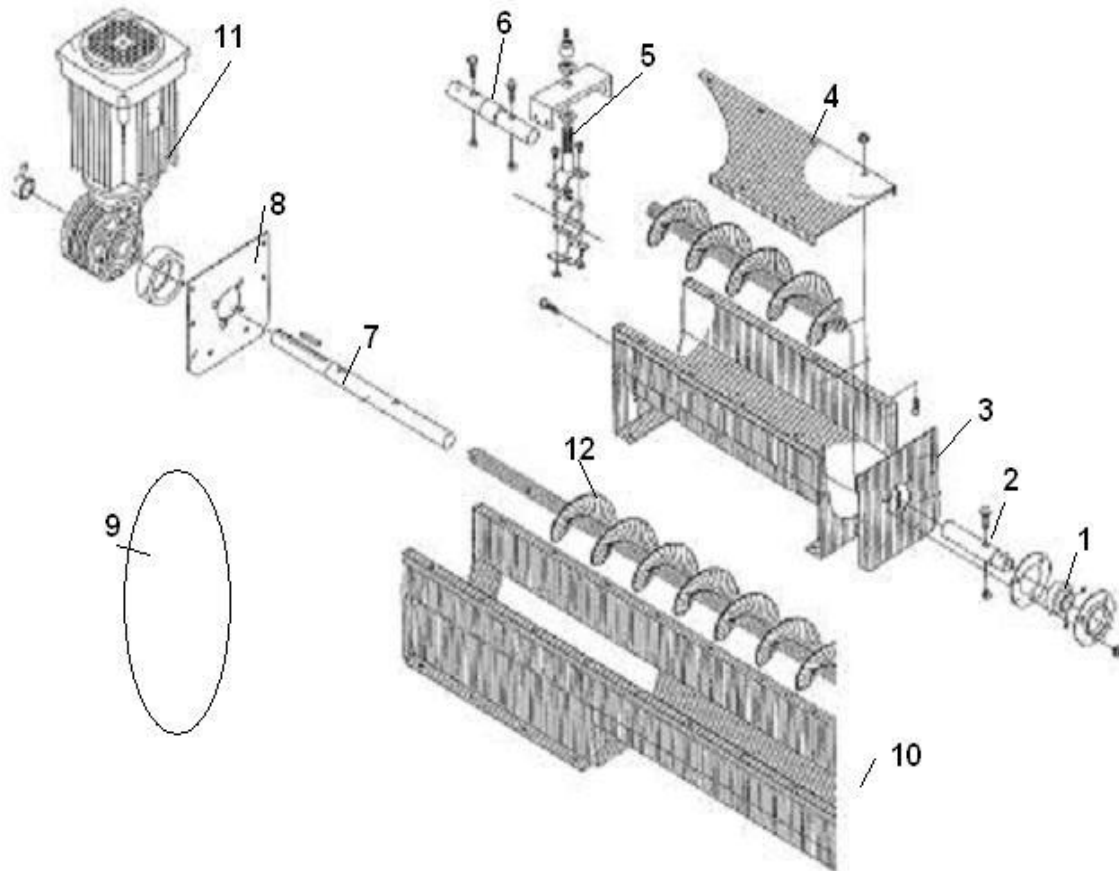
Pos	Pcs.	Item no.	Text	Order
1	1	83-06-2200	Auger extension 0.5 m w/flange tube auger M152 M&M	
2	1	83-06-2201	Auger extension 1.00 m w/flange tube auger M152 M&M	
3	1	83-06-2202	Auger extension 2.00 m w/flange tube auger M152 M&M	
4	1	83-06-2203	Auger extension 3.00 m w/flange tube auger M152 M&M	

10.5 BDS 152 mm Trough auger



Pos	Pcs.	Item no.	Text	Order
1	1	83-07-4362	Bearing PF 5 D25 for M152 M&M	
2	1	83-03-7534	Shaft (End) D25/27x150 U152 M&M	
3	1	83-06-8207	End bearing trough auger TS152 M&M	
4	1	46-13-5734	Cover for trough auger 152mm 2.0m M&M	
5	1	83-06-7468	Bearing BM-152 for trough auger 152mm M&M	
6	1	83-03-6050	Shaft for trough auger 152mm M&M	
7	1	83-06-7461	Shaft for trough auger 152mm gearbox M&M	
8	1	83-04-5851	End plate for trough auger 152mm for drive M&M	
9	2	46-12-0121	V-Belt Ax-46/Trough Auger 152	
10	1	83-03-7738	End outlet Ø150/U152Mm/B	
11	1	83-03-5694	Mot-g 2,2Kw 7:1 1400 U152/B	
11	1	83-06-1718	Mot-g 3kW/280r 9:1 trough auger 152 M&M	
11	1	83-06-1719	Mot-g 4kW/280r 9:1 M152 M&M	
11	1	83-06-2046	Mot-g 3kW/200r M152 15:1 M&M	
11	1	83-06-2047	Mot-g 4kW/200r M152 15:1 M&M	
12	1	83-03-7896	Trough auger extension 0.5m M152 M&M	
12	1	83-03-7884	Trough auger extension 1m M152 M&M	
12	1	46-13-6106	Extension Tr.Auger 152mm 1.5M	
12	1	83-03-7883	Trough auger extension 2m M152 M&M	

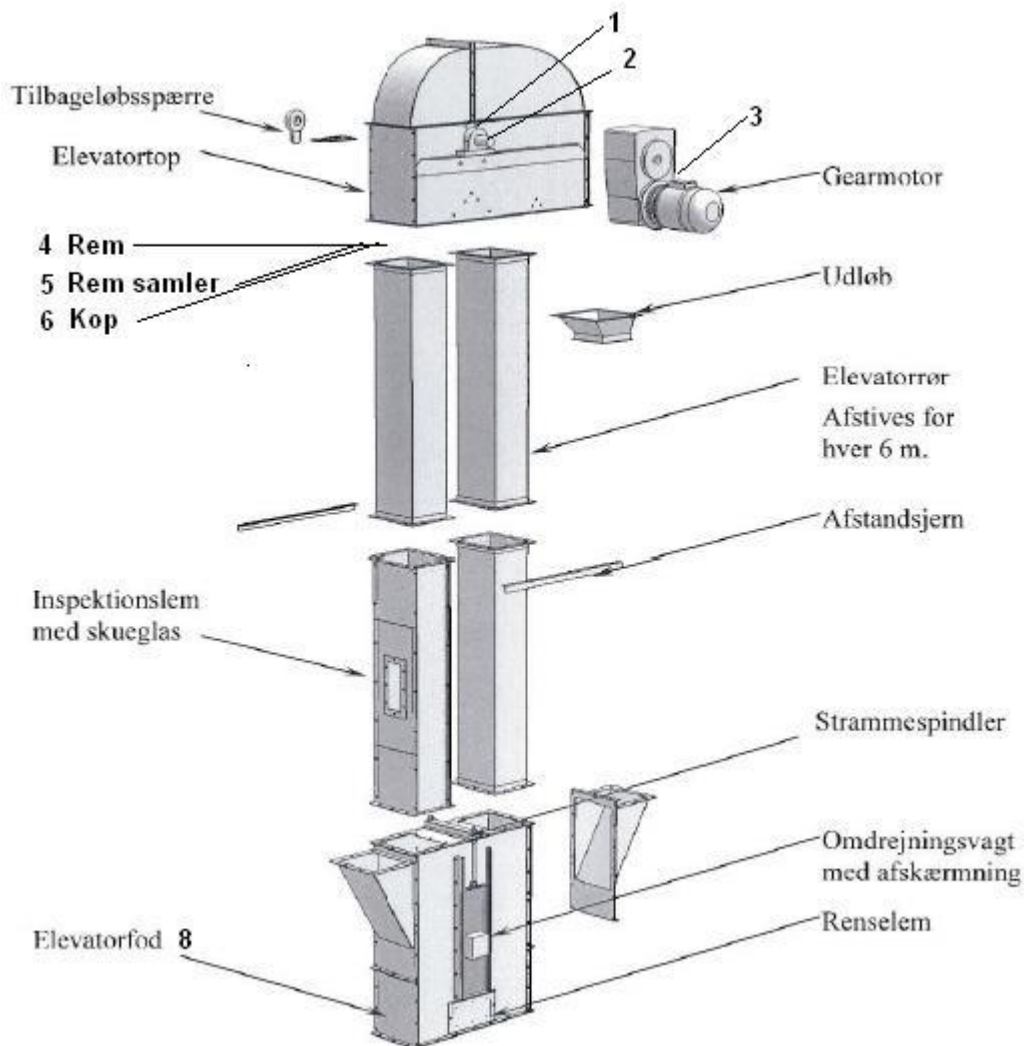
10.6 ST 205 mm Trough auger



Pos	Pcs.	Item no.	Text	Order
1	1	83-04-2010	End bearing trough auger 205 drive M&M	
1	1	83-04-1906	End bearing trough auger 205 drive M&M	
5	1	83-03-7638	Intermediate bearing trough auger 205 with lubricating nipple M&M	
5	1	83-06-7463	earing half POM for trough auger 205mm M&M	
6	1	83-06-7464	Augerthread 2,00m for trough auger 205mm M&M	
12	1	83-04-1173	Trough auger extension 1m M205 M&M	
12	1	46-13-5504	Trough auger extension 1.5m M205 M&M	
12	1	83-04-1174	Trough auger extension 2m M205 M&M	

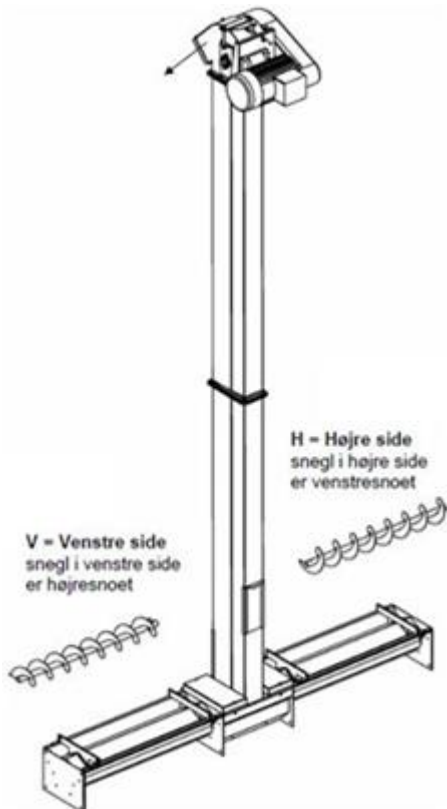
11 Transport system, Cup elevator, Chain elevator & chain conveyor

11.1 E80 Cup elevator



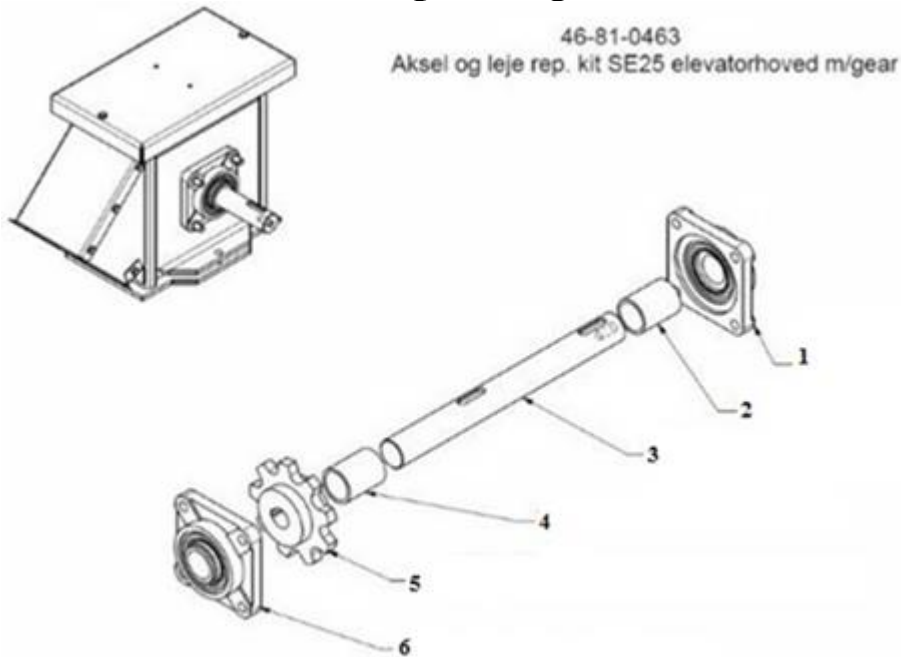
Pos	Pcs.	Item no.	Text	Order
1	2	46-13-0403	Bearing housing E80 top shaft M&M	
2	1	46-13-0470	Shaft w/Wheel E80	
3	1	83-06-5695	Gear motor 7.5:1 1.10kW for bucket elevator M&M	
4	1	46-13-5740	Elevator belt f/E80 8t oil- and grease-resistant M&M	
4	1	46-13-6169	Elevator belt f/E80 12t oil- and grease-resistant M&M	
5	1	46-13-5741	Connector for elevator belt E80 M&M	
6	1	83-06-7398	Bucket galv. for bucket elevator E80 M&M	
8	1	46-70-0200	Elevator base E80	
9	1	46-52-0365	Gasket underlay bucket elevator	

11.2 SE25 & 40 Chain elevator



Pos	Pcs.	Item no.	Text	Order
1	1	83-06-3654	Chain coupling for SR-SE25/40 joggl. M&M	
1	1	83-04-8009	Chain coupling for SR25/40 M&M	
2	1	83-03-7629	Chain 1.00m for chain elevator SE25 M&M	

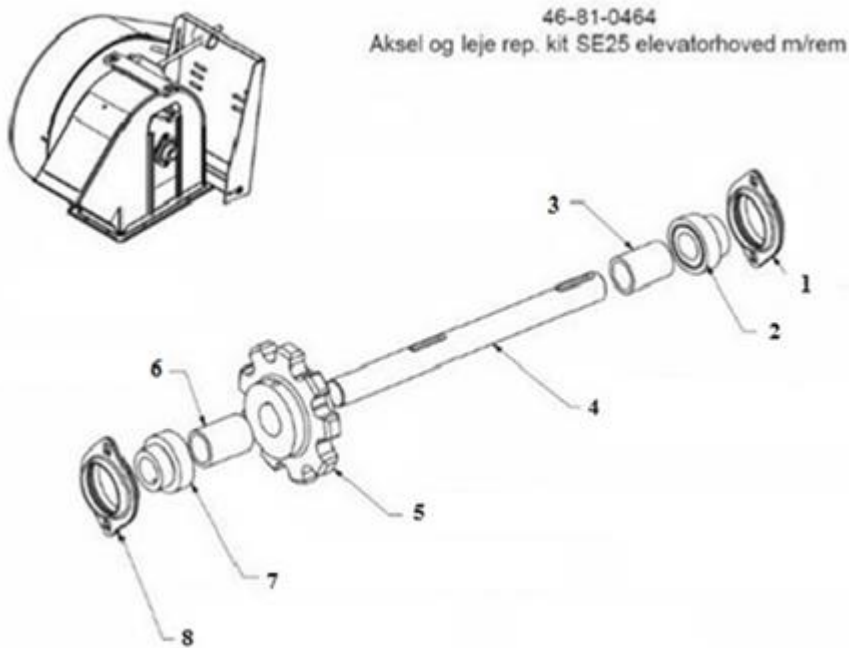
11.3 SE25 Elevatortop with gear



Pos	Pcs.	Item no.	Text	Order
	1	46-81-0463	Shaft and bearing rep. kit, elevatortop SE25, gear M&M	
1	2	83-07-1918	Flange bearing UCF207 SE 25-40 M&M	
2	2	81-32-9494	Bushing f/SE25 V/gear (not included in set)	
3	1	83-07-1919	Shaft for elevator head drive SE25 M&M	
4			As pos. 2	
5	1	83-07-1898	Sprocket wheel on top Ø35 drive SE 25-40 M&M	
6			As pos. 1	



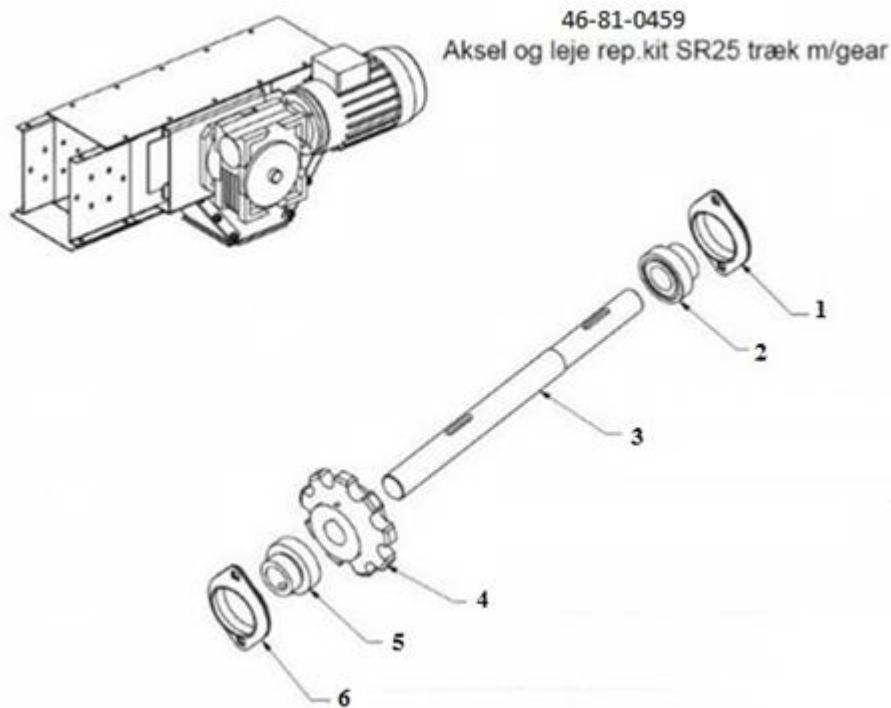
11.4 SE25 Elevatortop with belt



Pos	Pcs.	Item no.	Text	Order
	1	46-81-0464	Shaft and bearing rep. kit, elevator SE25, belt M&M (w. o. dist ring)	
1	2	46-05-0607	Bearing SA205 for elevator M&M	
2	2	83-06-6317	Bearing SA205 for elevator M&M	
3	2	81-36-0733	Bushing f/SE25 V/belt (not included in set)	
4	1	83-03-7621	Shaft elevator SE25 M&M	
5	1	83-03-7622	Sprocket wheel top SE25 M&M	
6			As pos. 3	
7			As pos. 2	
8			As pos. 1	



11.5 SR25 drive with gear

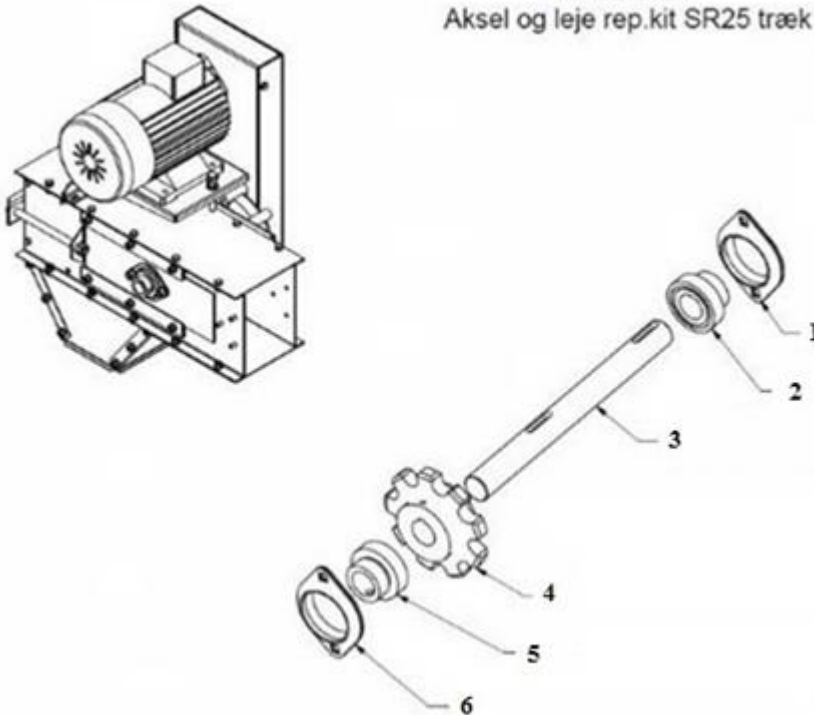


Pos	Pcs.	Item no.	Text	Order
	1	46-81-0459	Shaft and bearing rep. kit drive section, gear SR25 M&M	
1	2	46-05-0636	Bearing Housing PFL 206 Oval D30	
2	2	83-03-7617	Bearing for shaft SA206/SR25-40+SE40 M&M	
3	1	46-70-0177	Shaft for drive SR25 Gear M&M	
4	1	83-03-7615	Sprocket wheel top SE40/SR25 M&M	
5			As pos. 2	
6			As pos. 1	



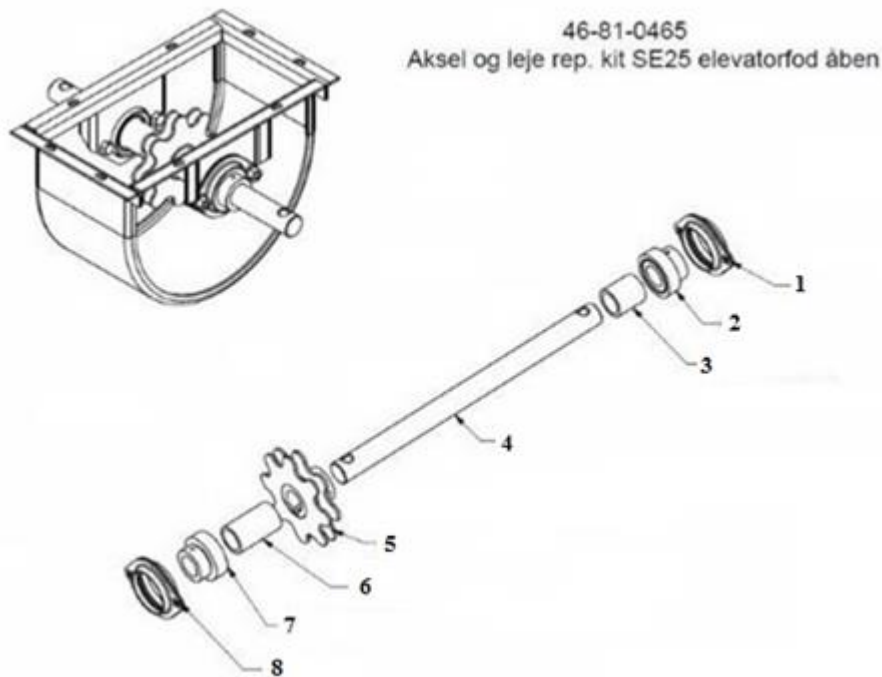
11.6 SR25 drive with belt

46-81-0457
Aksel og leje rep.kit SR25 træk m/rem



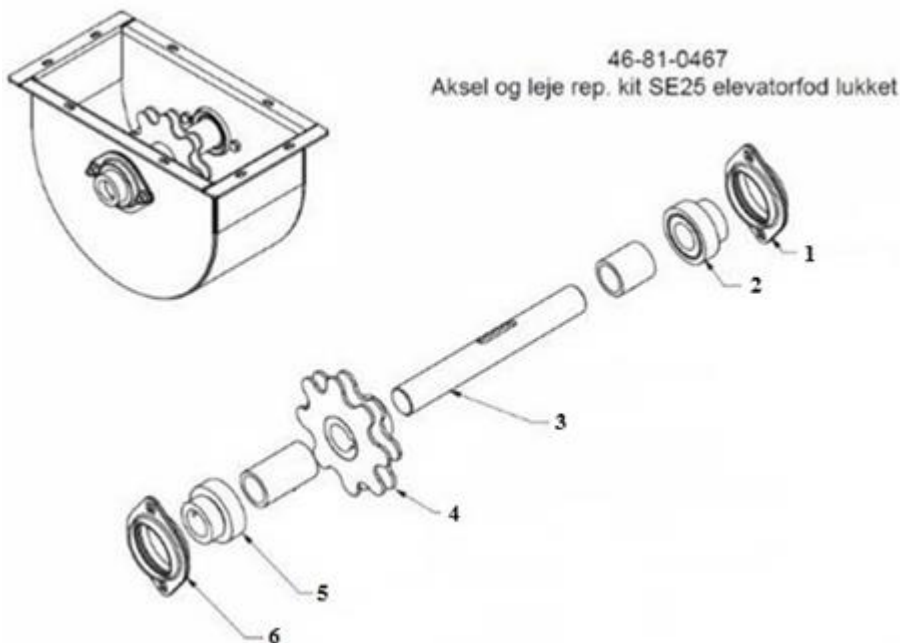
Pos	Pcs.	Item no.	Text	Order
	1	46-81-0457	Shaft and bearing rep. kit, drive section, belt SR25 M&M	
1	2	46-05-0636	Bearing Housing PFL 206 Oval D30	
2	2	83-03-7617	Bearing for shaft SA206/SR25-40+SE40 M&M	
3	1	83-06-7258	Shaft for drive SR25 Belt M&M	
4	1	83-03-7615	Sprocket wheel top SE40/SR25 M&M	
5			As pos. 2	
6			As pos. 1	

11.7 SE25 Elevator foot open



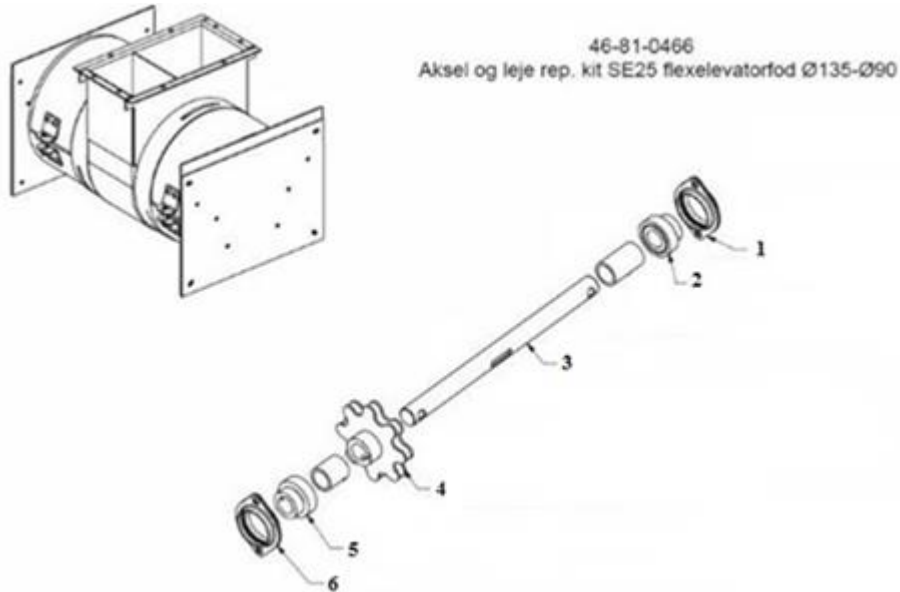
Pos	Pcs.	Item no.	Text	Order
	1	46-81-0465	Shaft and bearing rep. kit, Elevator foot SE25 open M&M	
1	2	46-05-0607	Bearing Flange Pfl15 (Set)	
2	2	83-06-6317	Bearing SA205 for elevator M&M	
3	1	81-32-9501	Bush L: 37mm f/base SE25 (not included in set)	
4	1	83-06-6313	Shaft for elevator foot on top SE25 M&M	
5	1	83-06-6318	Chain wheel floor SE25-SE40 M&M	
6	1	81-32-9500	Bush L: 57mm f/SE25 base	
7			As pos. 2	
8			As pos. 1	

11.8 SE25 Elevator foot closed



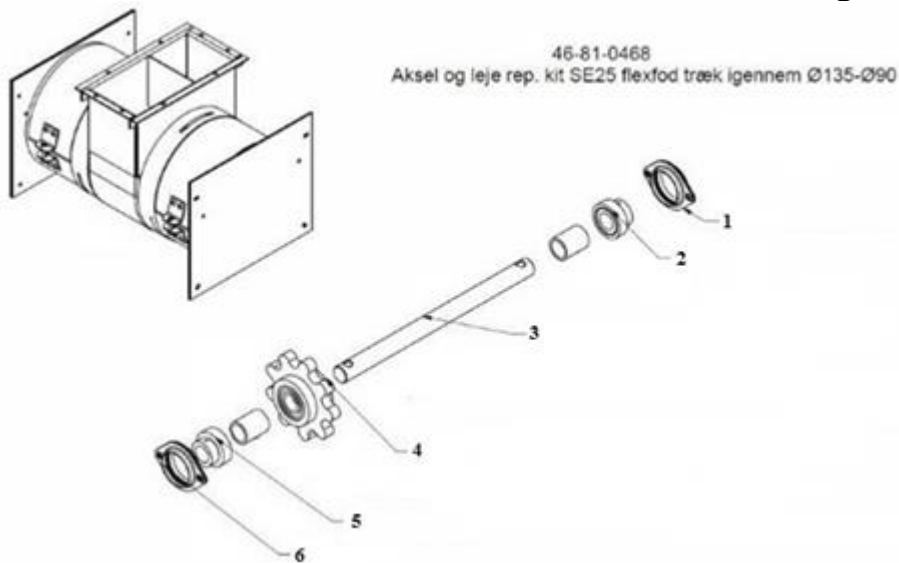
Pos	Pcs.	Item no.	Text	Order
	1	46-81-0467	Shaft and bearing rep. kit, Elevator foot SE25 closed M&M	
1	2	46-05-0607	Bearing Flange Pfl5 (Set)	
2	2	83-06-6317	Bearing SA205 for elevator M&M	
4	1	83-06-6314	Shaft for elevator foot closed SE25 M&M	
5			Som pos. 2	
6			Som pos. 1	

11.9 Flex foot Ø135-Ø90



Pos	Pcs.	Item no.	Text	Order
	1	46-81-0466	Shaft and bearing rep. kit, flex foot SE25 D135-D90 M&M	
1	2	46-05-0607	Bearing Flange Pfl5 (Set)	
2	2	83-06-6317	Bearing SA205 for elevator M&M	
3	1	83-06-6313	Shaft for elevator foot on top SE25 M&M	
4	1	83-06-6318	Chain wheel floor SE25-SE40 M&M	
5			As pos. 2	
6			As pos. 1	

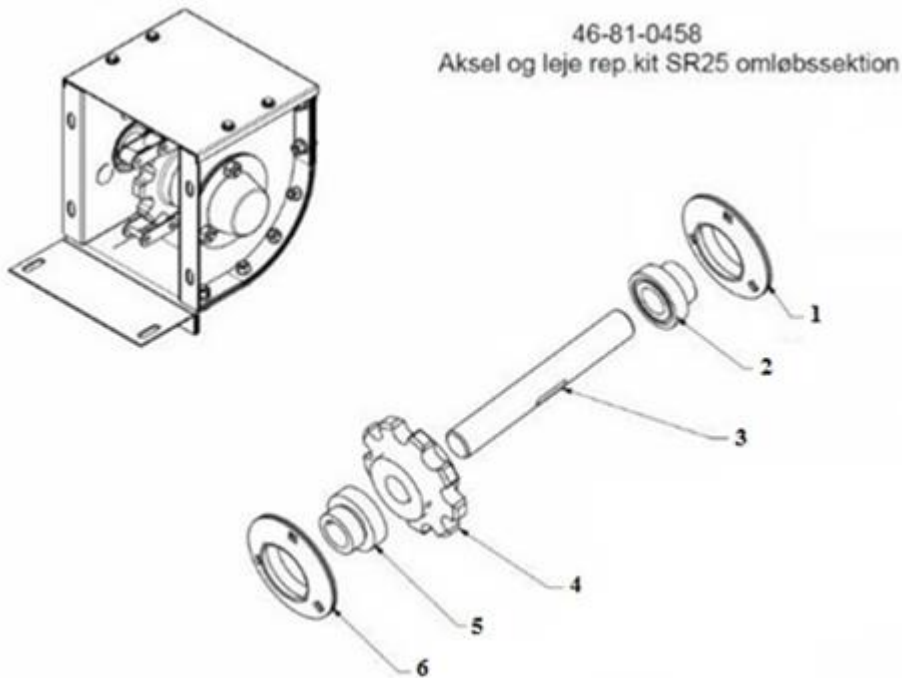
11.10 Flex foot Ø135-Ø90 with drive through



Pos	Pcs.	Item no.	Text	Order
	1	46-81-0468	Shaft and bearing rep. kit, flexfoot SE25 D135-D90 f/pit M&M	
1	2	46-05-0607	Bearing Flange Pfl5 (Set)	
2	2	83-06-6317	Bearing SA205 for elevator M&M	
3	1	83-06-6313	Shaft for elevator foot on top SE25 M&M	
4		46-72-0694	Cast stainless steel wheel 9T with bearings SE25-40/S	
5			As pos. 2	
6			As pos. 1	



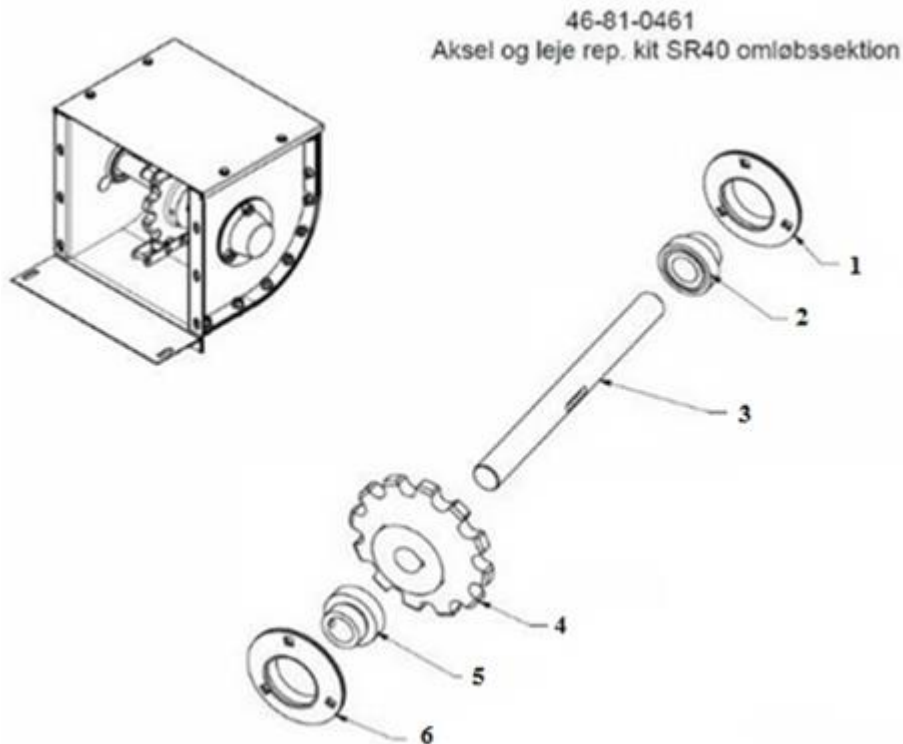
11.11 SR25 circuit section



Pos	Pcs.	Item no.	Text	Order
	1	46-81-0458	Shaft and bearing rep. kit circuit section SR25M&M	
1	2	46-91-0574	Bearing Housing PF 206 D30 round 3 hole	
2	2	83-03-7617	Bearing for shaft SA206/SR25-40+SE40 M&M	
3	1	83-06-2960	Shaft circuit section SR25 M&M	
4	1	83-03-7615	Sprocket wheel top SE40/SR25 M&M	
5			As pos. 2	
6			As pos. 1	



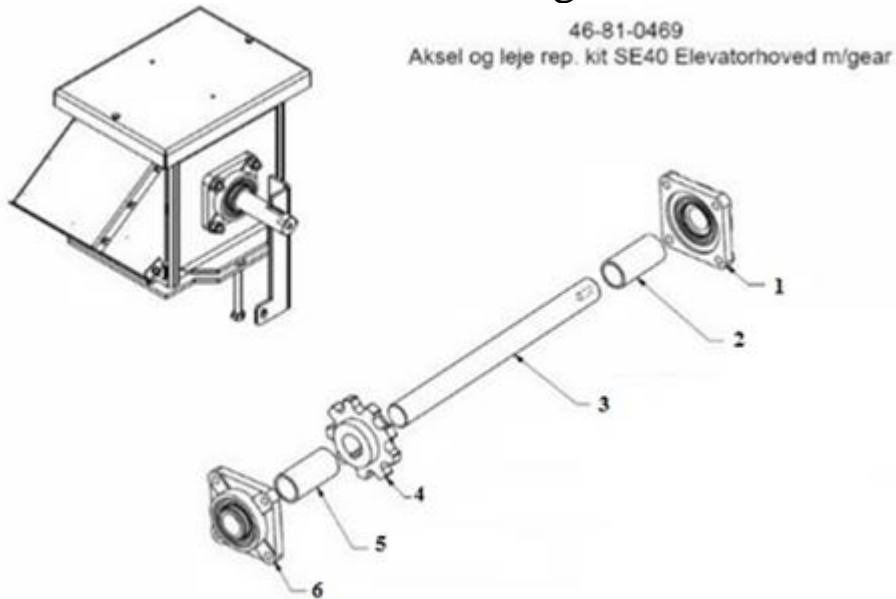
11.12 SR40 circuit section



Pos	Pcs.	Item no.	Text	Order
	1	46-81-0461	Shaft and bearing rep. kit circuit section SR40M&M	
1	2	46-90-0574	Bearing Housing PF 206 D30 round 3 hole	
2	2	83-03-7617	Bearing for shaft SA206/SR25-40+SE40 M&M	
3	1	83-06-7257	Shaft circuit section SR40 M&M	
4	1	83-07-4359	Chain wheel 12Z D30 SR40 M&M	
5			As pos. 2	
6			Ass pos. 1	



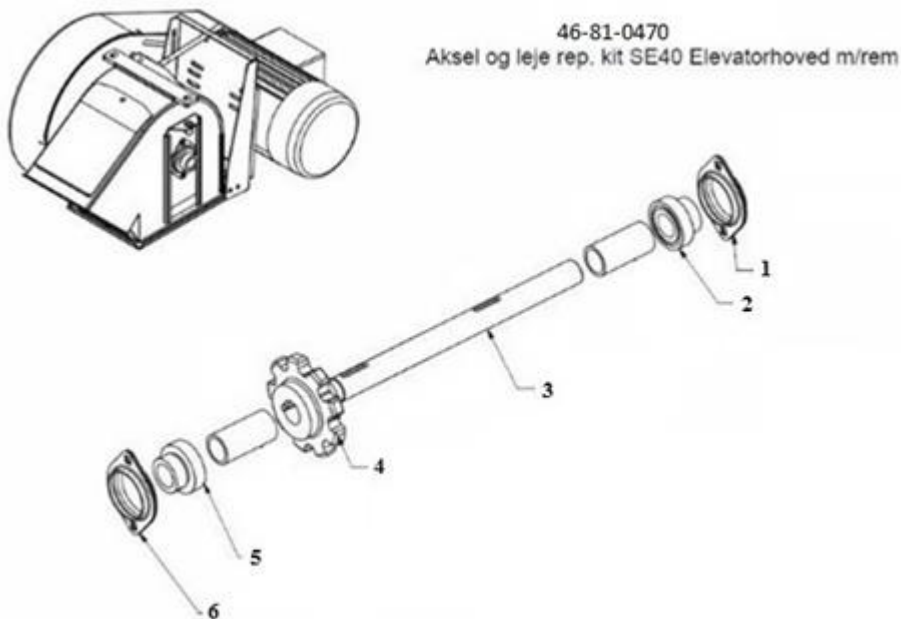
11.13 Se40 Elevator head w. gear



Pos	Pcs.	Item no.	Text	Order
	1	46-81-0469	Shaft and bearing rep. kit, elevatorhead SE40, gear M&M	
1	2	83-07-1918	Flange bearing UCF207 SE 25-40 M&M	
2	2	81-33-3226	Bushing for elevatorhead SE40 with gear	
3	1	83-07-1920	Shaft for elevator head drive SE40 M&M	
4	1	83-07-1898	Sprocket wheel on top Ø35 drive SE 25-40 M&M	
5			As pos. 2	
6			As pos. 1	

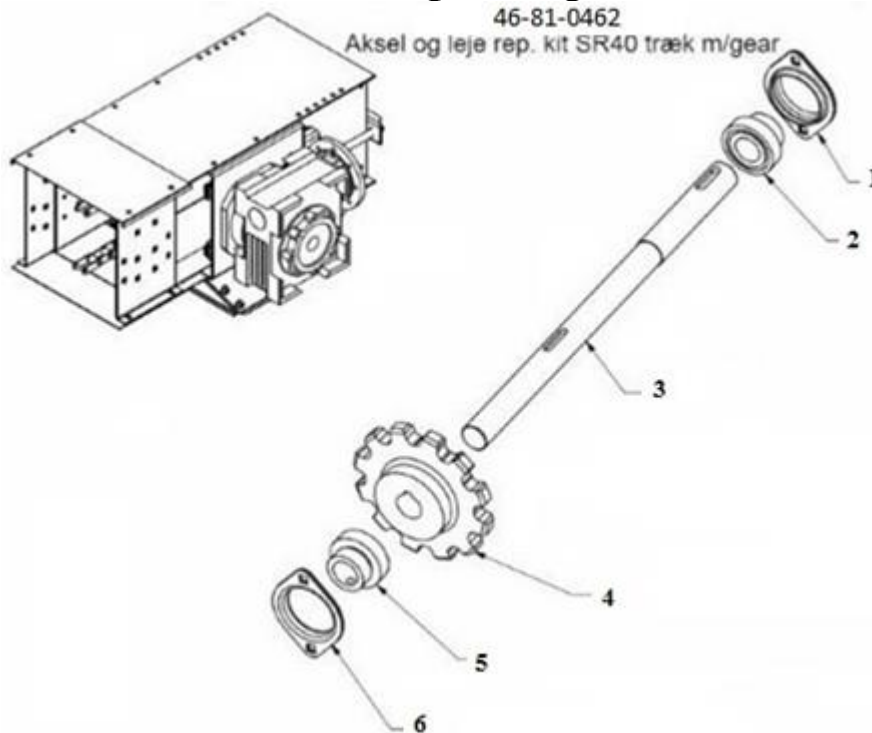


11.14 SE40 Elevatortop with belt



Pos	Pcs.	Item no.	Text	Order
	1	46-81-0470	Shaft and bearing rep. kit, elevatortop SE40, belt M&M	
1	2	46-05-0636	Bearing housing PFL 206 oval Ø30	
2	2	83-03-7617	Bearing for shaft SA206/SR25-40+SE40 M&M	
3	1	83-03-7614	Shaft elevatortop SE40 M&M	
4	1	83-03-7615	Sprocket wheel top SE40/SR25 M&M	
5			As pos. 2	
6			As pos. 1	

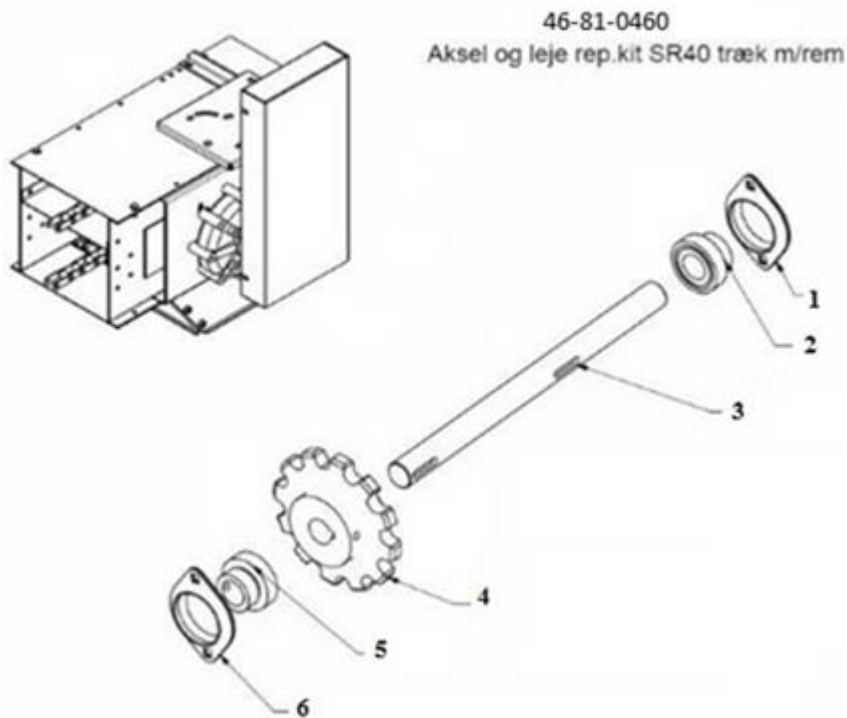
11.15 SR40Elevatortop with gear



Pos	Pcs.	Item no.	Text	Order
	1	46-81-0462	Shaft and bearing rep. kit drive section, gear SR40 M&M	
1	2	46-05-0636	Bearing house PFL 206 oval Ø30	
2	2	83-03-7617	Bearing for shaft SA206/SR25-40+SE40 M&M	
3	1	46-70-0178	Shaft for drive SR40 gear M&M	
4	1	83-07-4359	Chain wheel 12Z D30 SR40 M&M	
5			As pos. 2	
6			As pos. 1	



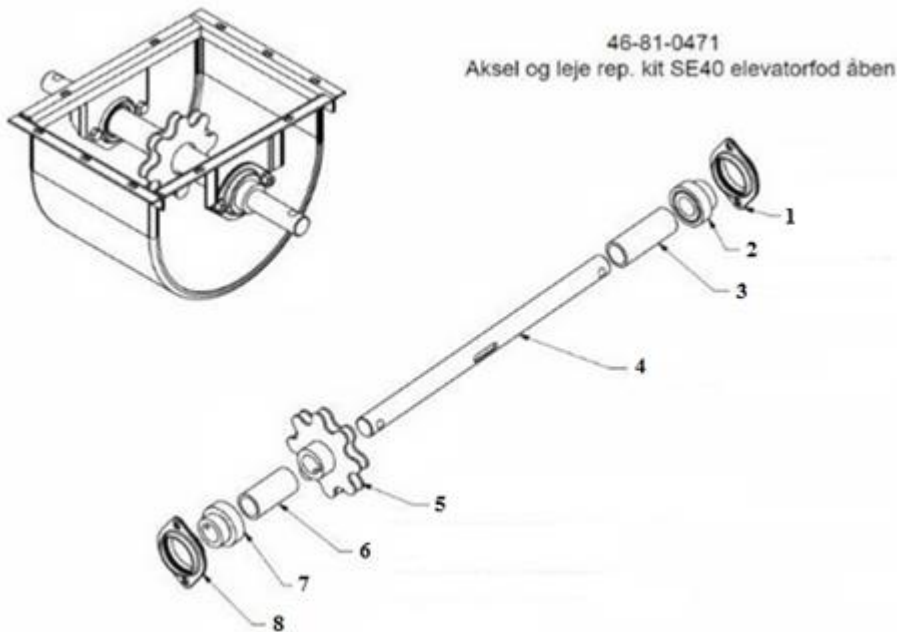
11.16 SR40 drive with belt



Pos	Pcs.	Item no.	Text	Order
	1	46-81-0460	Shaft and bearing rep. kit drive section, belt SR40 M&M	
1	2	46-05-0636	Bearing Housing PFL 206 Oval D30	
2	2	83-03-7617	Bearing for shaft SA206/SR25-40+SE40 M&M	
3	1	83-06-7260	Shaft for drive SR40 Belt M&M	
4	1	83-07-4359	Chain wheel 12Z D30 SR40 M&M	
5			As pos. 2	
6			As pos. 1	

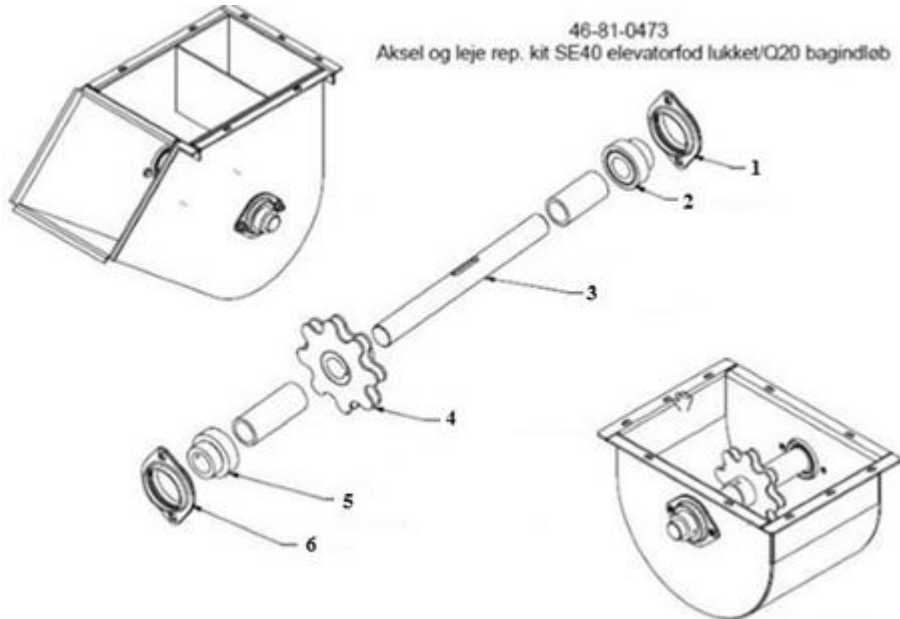


11.17 SE40 Elevator foot open



Pos	Pcs.	Item no.	Text	Order
	1	46-81-0471	Shaft and bearing rep. kit, Elevator foot SE40 open M&M	
1	2	46-05-0607	Bearing Flange Pfl5 (Set)	
2	2	83-06-6317	Bearing SA205 for elevator M&M	
3	2	81-33-3968	Bush L: 87mm f/SE40 base (not included in set)	
4	1	83-06-6315	Shaft for elevator foot on top SE40 M&M	
5	1	83-06-6318	Chain wheel floor SE25-SE40 M&M	
6	1	81-33-3969	Bush L: 67mm f/SE40 base	
7			As pos. 2	
8			As pos. 1	

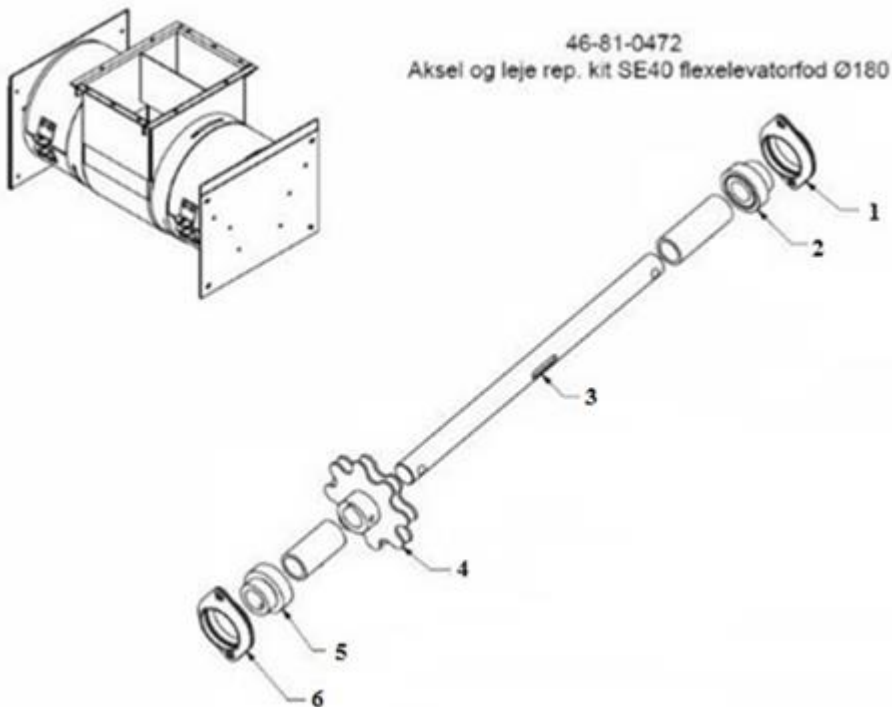
11.18 SE40 Elevator foot closed



Pos	Pcs.	Item no.	Text	Order
	1	46-81-0473	Shaft and bearing rep. kit, Elevator foot SE40 closed M&M	
1	2	46-05-0607	Bearing Flange Pfl5 (Set)	
2	2	83-06-6317	Bearing SA205 for elevator M&M	
3	1	83-06-6316	Shaft for elevator foot closed SE40 M&M	
4	1	83-06-6318	Chain wheel floor SE25-SE40 M&M	
5			As pos. 2	
6			As pos. 1	



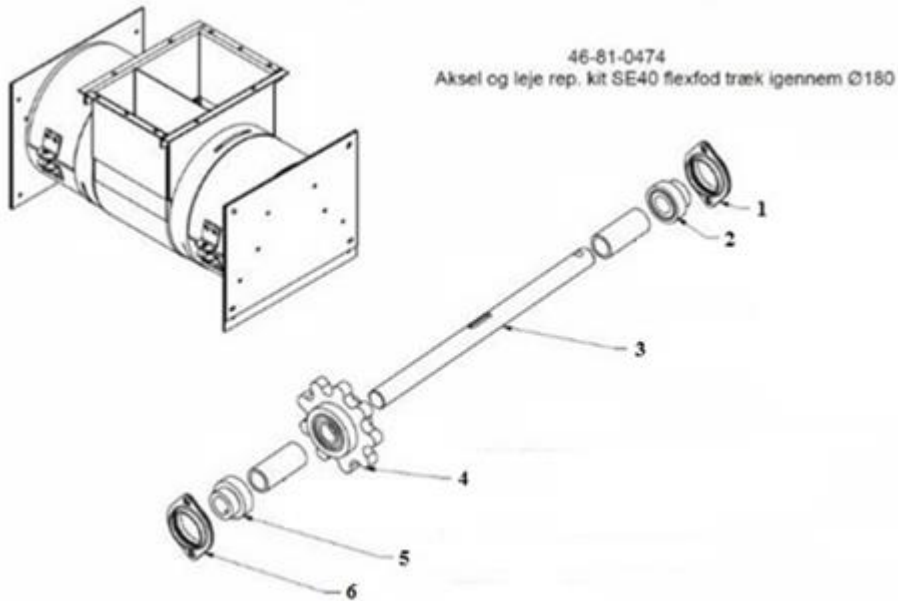
11.19 SE40 Flex elevator foot Ø180



Pos	Pcs.	Item no.	Text	Order
	1	46-81-0472	Shaft and bearing rep. kit, flexfoot SE40 D180 M&M	
1	2	46-05-0607	Bearing Flange Pfl5 (Set)	
2	2	83-06-6317	Bearing SA205 for elevator M&M	
3	1	83-06-6315	Shaft for elevator foot on top SE40 M&M	
4	1	83-06-6318	Chain wheel floor SE25-SE40 M&M	
5			As pos. 2	
6			As pos. 1	



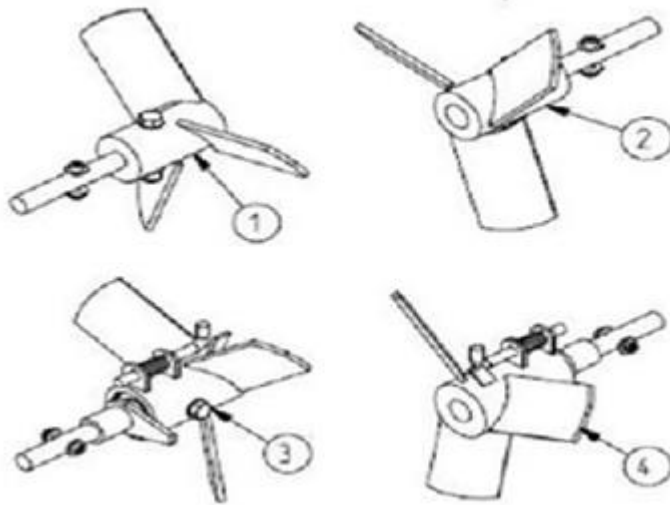
11.20 SE40 Flex foot with drive through Ø180



Pos	Pcs.	Item no.	Text	Order
	1	46-81-0474	Shaft and bearing rep. kit, flexfoot SE40 D180 f/pit M&M	
1	2	46-05-0607	Bearing Flange Pfl5 (Set)	
2	2	83-06-6317	Bearing SA205 for elevator M&M	
3	1	83-06-6315	Shaft for elevator foot on top SE40 M&M	
4	1	46-72-0694	Chain wheel cast 9Twith bearing SE25-40 M&M	
5			As pos. 2	
6			As pos. 1	



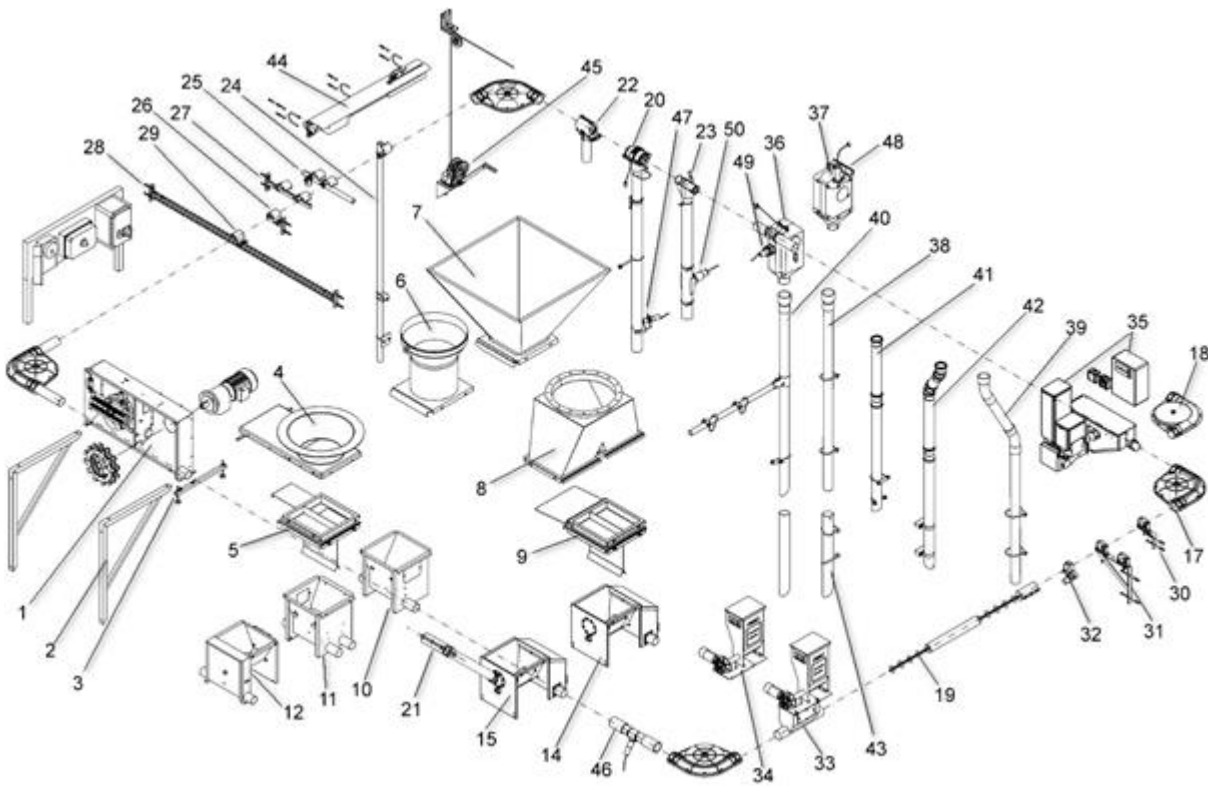
11.21 Se25 & SE40 infeed blade



Pos	Pcs.	Item no.	Text	Order
1	1	83-03-7635	Infeed blade lh dia 90 SE25 M&M	
2	1	83-03-7636	Infeed blade rh dia 90 SE25 M&M	
3	1	46-13-5825	Infeed blade lh 90mm idle SE25-40 M&M	
4	1	46-13-5824	Infeed blade rh 90mm idle SE25-40 M&M	
1	1	83-04-4422	Infeed blade lh 135mm SE25-40 M&M	
2	1	83-04-4431	Infeed blade rh 135mm SE25-40 M&M	
3	1	46-13-5827	Infeed blade lh 135mm idle SE25-40 M&M	
4	1	46-13-5826	Infeed blade rh 135mm idle SE25-40 M&M	
1	1	46-13-5497	Infeed blade lh 180mm SE40 M&M	
2	1	46-13-5496	Infeed blade rh 180mm SE40 M&M	
3	1	46-13-5829	Infeed blade lh 180mm idle SE40 M&M	
4	1	46-13-5828	Infeed blade rh 180mm idle SE40 M&M	

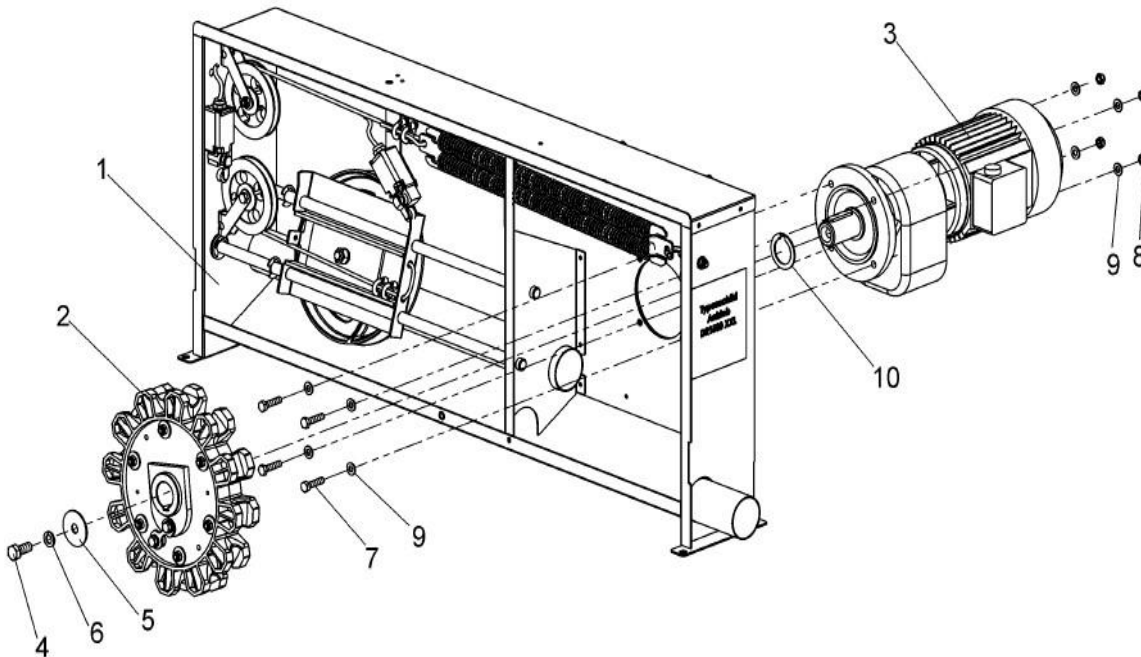


12 Dry feeder type DR1500



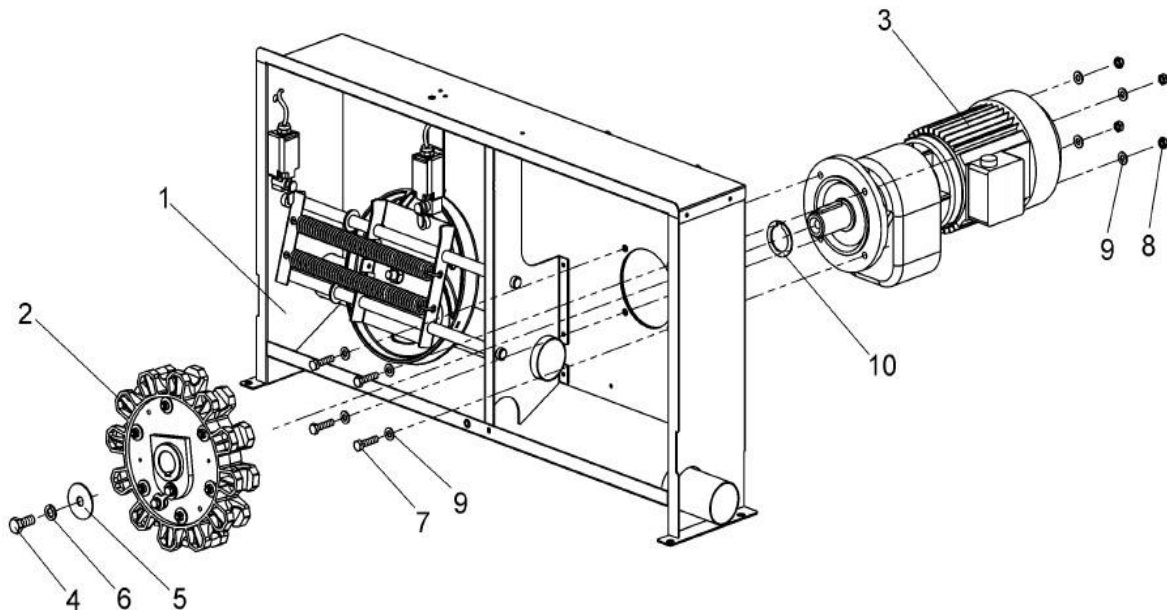
Dry feeder exploded view.

12.1 Drive in Stainless steel 1.5 kW DR1500XXL



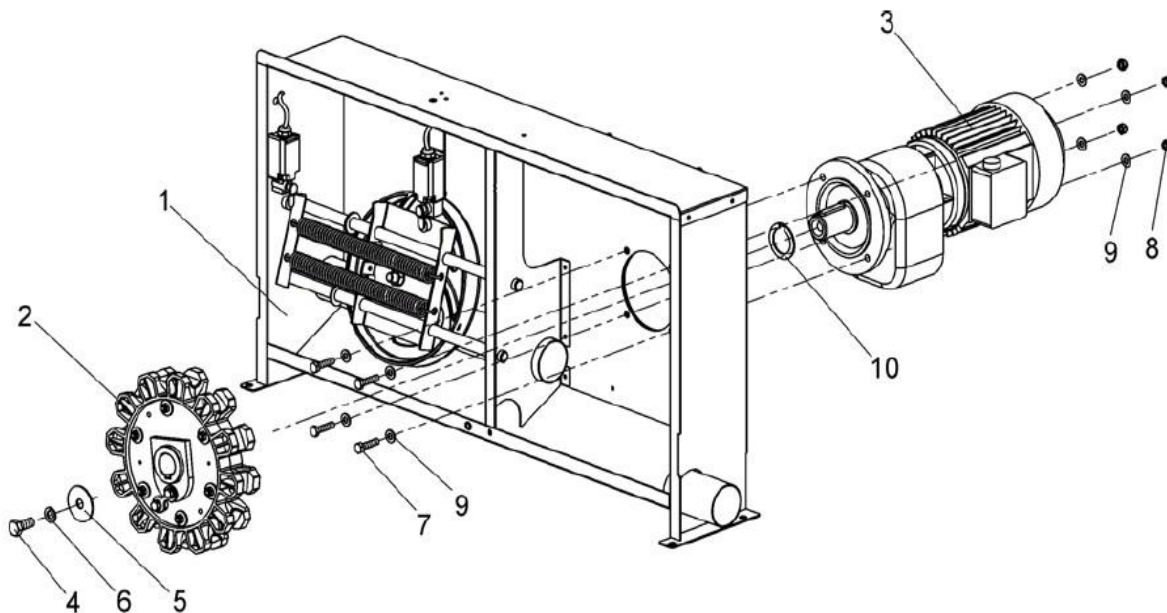
Pos	Pcs.	Item no.	Text	Order
1-10	1	83-04-2855	COMPLETE Stainless steel drive 1.5 kW DR1500XXL 230/400V 50Hz 3Ph, Chain 42	
1	1	83-01-5353	Drive DR1500 XXL assembled wo/ motor and driving wheel	
2	1	83-05-8375	Driving wheel DR1500 plastic	
3	1	10-88-4029	Mot-g 1.50 230/400 50/60Hz 3PH 31/37.5r shaft 35x58	
4-10	1	83-01-2665	Mounting set for motor and driving wheel DR850/1500	
4	1	99-10-1274	Hexagon head screw M 12x 30 DIN 933 8.8 galv.	
5	1	20-90-3759	Washer 13x50-2 galv.	
6	1	99-50-1205	Spring washer A 12 DIN 127-galv.	
7	4	99-20-1402	Hexagon head screw M 8x 35 SST 933 DIN	
8	4	99-20-1193	Self-locking counter nut M8 SST 1.4401 DIN985 A4-80 Gleitmo	
9	8	99-20-1600	Washer SST A 8.4 DIN 125	
10	1	83-01-3389	Spacing ring 50x36-2 with key-way drive DR850/1500	

12.2 Stainless steel drive DR1500



Pos	Pcs.	Item no.	Text	Order
1-10	1	83-04-2847	COMPLETE Stainless steel drive 1.5 kW DR1500 230/400V 50Hz 3Ph/Chain 42	
1	1	83-01-2657	Stainless steel drive 1.5 kW DR1500 200V 60Hz 3Ph/Chain 42	
2	1	83-05-8375	Driving wheel DR1500 plastic	
3	1	10-88-4029	Gear motor 1.50 230/400 50 3PH 31U shaft 35x58	
4-10	1	83-01-2665	Mounting set for motor and driving wheel DR850/1500	
4	1	99-10-1274	Hexagon head screw M 12x 30 DIN 8.8 galv.	
5	1	20-90-3759	Washer 13x50-2 galv.	
6	1	99-50-1205	Spring washer A 12 DIN 127-A2E.	
7	4	99-20-1402	Hexagon head screw M 8x 35 SST DIN 933	
8	4	99-20-1193	Self-locking counter nut M 8 DIN SST A4-80 Gleitmo	
9	8	99-20-1600	Washer SST A 8.4 DIN 125	
10	1	83-01-3389	Spacing ring 50x36-2 with key-way drive DR850/1500	

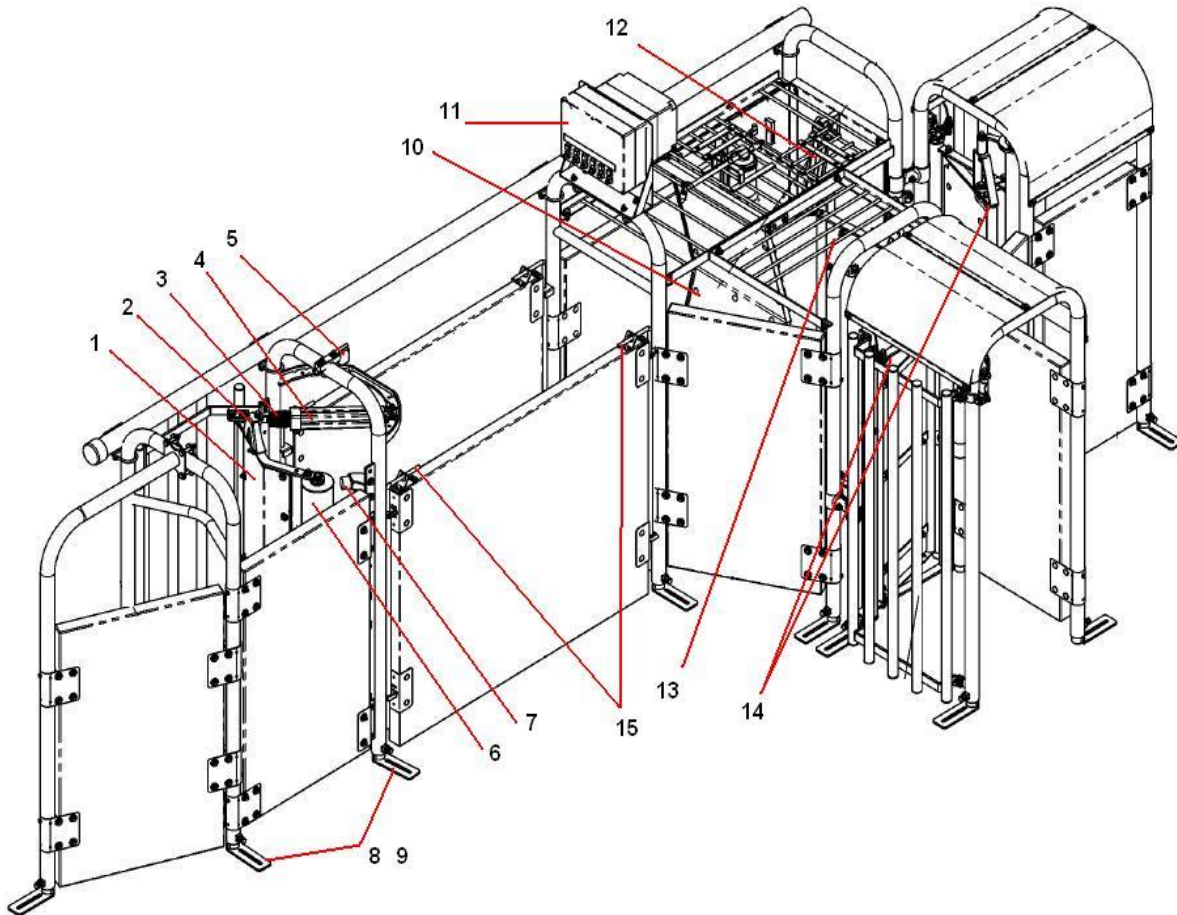
12.3 Drive DR850



Pos	Pcs.	Item no.	Text	Order
1-10	1	83-04-2961	Drive 11,5kW SST DR850/400V 50Hz 3PH	
1	1	83-01-2656	Drive DR850 assembled without motor and driving wheel	
2	1	83-05-6338	Driving wheel DR850 plastic	
3	1	10-88-4029	Mot-g 1.50 230/400 50/60Hz 3PH 31/37 shaft 35x58	
4-10	1	83-01-2665	Mounting set for motor and driving wheel DR850/1500	
4	1	99-10-1274	Hexagon head screw M 12x 30 DIN 8.8 galv.	
5	1	20-90-3759	Washer 13x50-2 galv.	
6	1	99-50-1205	Spring washer A 12 DIN 127-galv.	
7	4	99-20-1402	Hexagon head screw M 8x 35 DIN 933 SST	
8	4	99-20-1193	Self-locking counter nut M 8 DIN SST A4-80 Gleitmo	
9	8	99-20-1600	Washer SST A 8.4 DIN 125	
10	1	83-01-3389	Spacing ring 50x36-2 with key-way drive DR850/1500	

13 Call Matic station

13.1 Call Matic station pos. 1-16



Pos	Pcs.	Item no.	Text	Order
1a	1	81-33-8258	Entrance leaf with bushing + roll	
2		Varenr:	Support for cylinder at entrance gate	
3	1	83-02-6792	Ballows 40-245mm	
4	1	83-01-2671	Pneumatic cylinder unit 40/200	
5a	1	46-70-0243	Photocell with plug PNP/NPN	
5b	1	46-73-0185	Cable for DOL-25 Sensor 5m	
6	1	81-20-9171	Roll for entrance door CallMatic (83-02-3469)	
7	1	81-20-9098	Not in use	
9a	1	83-10-1445	Cheese head screw M10x100 TORX 50 SST w/ PA coated.	
9b		83-09-3267	Slat anchor BD M10 SST 80-120mm	
10a	1	83-03-9831	Antenna 415x320 - 730µH	
10b	1	83-56-3240	Antenne 415x320 - 300hH with bezel	
12	1	83-01-2671	Pneumatic cylinder unit 40/200	
13	1	83-01-4698	Solonoid valve 24V DC 12W ND13 2/2-ways G1/2" NC	