



Big Dutchman®



Manure pit systems

for organic, barn and free-range egg production

Manure pit systems

Bird-friendly, easy to monitor and successful

A prerequisite for healthy hens with a high laying performance is good housing and equipment. It is essential that the individual components – nests, feed and water supply,

perches and manure removal – link well together.

The modern manure pit systems from Big Dutchman are bird-friendly and can be fitted

into the majority of houses. Whichever type of cage-free egg production you select, Big Dutchman has the right concept for you!

Colony 2+ group laying nest: well accepted by the hens, excellent egg quality

The correct laying nest plays an important role when looking for economic success. Reducing the number of misplaced, dirty and cracked eggs is crucial. Depending on the house layout, Big Dutchman offers its Colony 2+ nest with one or two tiers and as wall nest or double nest. Colony 2+ has the following advantages:

- ✓ short rolling-off distances for the eggs
→ smooth transfer to the egg belt to

- ensure excellent egg quality
- ✓ clever nest design with a roof that can be opened
→ easy nest inspection
→ easy cleaning
→ no hidden corners for mites
- ✓ divided, tilting nest floor so that any eggs left in the nest automatically roll off towards the egg belt when the nest closes

- ✓ the tilting floor closes the nest after the laying period
→ daily build-up of dirt drops off the nest insert
→ the nest remains clean
→ low percentage of dirty eggs
- ✓ nest depth of 53 cm
→ 153 hens per tier in wall nests
→ 305 hens per tier in double nests



Colony 2+ as single-tier wall nest



Open Colony 2+ nest



The tilting floor closes the nest after the laying period

Manure pit with plastic slats for better control of hygiene in the house

To improve hygiene inside the house, part of the house should be used as a manure pit and equipped with slats. With both drinker and feed lines located above the manure pit, this is also the area where most of the droppings are deposited. The excrement is stored in the manure pit for the entire laying phase. After the batch, the manure pit is dismantled and

the manure removed from the house. The Big Dutchman plastic slat is an ideal choice for laying hens. It has the following advantages:

- ✓ excellent hygiene due to the smooth surface;
- ✓ secure foothold for the hens;
- ✓ good manure penetration so the slats stay

- clean for the entire batch;
- ✓ no contact surface between the slats, i.e. no hotbeds for mites and other pests;
- ✓ lack of sharp edges or corners, reducing the risk of injury;
- ✓ flooring that is easy to install and to dismantle after the batch;
- ✓ high durability, long service life.



Plastic slat covering the manure pit



Manure pit to store excrement



Longitudinal supports for wide manure pits

Metal slats

In addition to the plastic slat, Big Dutchman can also offer a metal slat. This slat is mainly used in fully-slatted houses that are equipped with manure removal systems, e.g. manure scrapers below the slats. Metal slats are heavier than plastic slats but easy to clean while remaining in situ. Dismantling the manure pit is thus not necessarily required when using metal slats.



Fully-slatted house with metal slats above the manure pit

A-frame perches made of metal

Modern manure pit houses are equipped with A-frames to offer the required amount of perch space. These A-frames provide the birds with an elevated resting zone and thus more comfort. The two Big Dutchman A-frame models, 3000 and 5800, are made of metal and the ideal choice both for manure pit houses and fully-slatted houses. Hens naturally like to perch in a high position at night. The A-frames are an elevated resting area that can also easily be combined with

feed and drinker lines. The A-frame 3000 is designed to run the length of the manure pit. It has three perches and can be installed with or without feed line, as required. Due to its low weight, the A-frame 3000 can be winched up to the ceiling during cleaning. The A-frame 5800 can be equipped with up to eight perches, two feed lines and one drinker line. This system provides full flexibility to meet your specific stocking requirements.



A-frame 3000 with three perches and one feed line

Feed and water supply

Feed is supplied by the tried and tested Big Dutchman chain feeding system. Its advantages are well-known:

- ✓ the Champion feed chain distributes feed rapidly and evenly throughout the entire house;
- ✓ the maintenance-free 90° corners ensure a trouble-free feed circuit;
- ✓ additional perching is available thanks to a tube above the trough that also prevents soiling of the feed below;
- ✓ the rugged plastic legs have a long service life, even when placed in the litter, and are also available with an inclination of 4° or 8°, depending on the manure pit;
- ✓ the combination of suspended and standing troughs makes it possible to winch the system up towards the ceiling for cleaning;
- ✓ the durable and solid construction has been proving its worth for many decades.

Big Dutchman recommends nipple drinkers to provide the layers with clean drinking water. Nipple drinker lines can be suspended from the ceiling or stand on legs. Large or small drip cups beneath the nipples ensure that the manure remains dry.



Fully-slatted house with combined suspended/standing feeding system



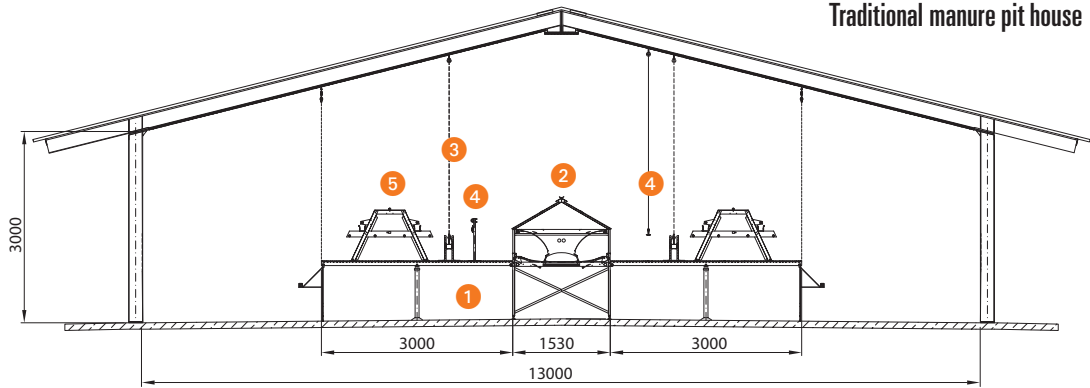
Top nipple orange with large drip cup



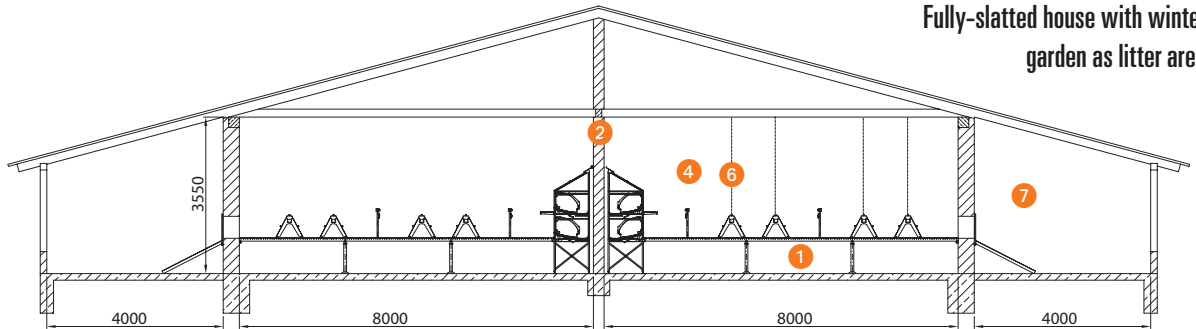
Top nipple with small drip cup

House layouts

Traditional manure pit house



Fully-slatted house with winter garden as litter area

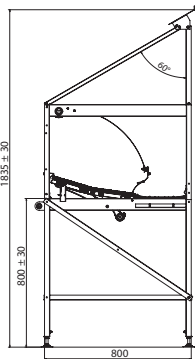


Key

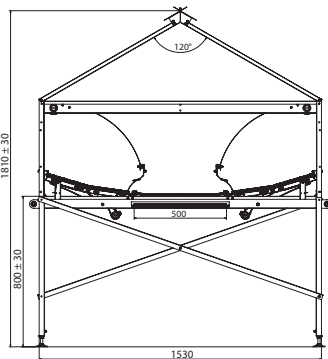
- 1 Manure pit with plastic slats
- 2 Colony 2+ as double nest or wall nest
- 3 Trough with feed chain, standing and/or suspended
- 4 Nipple drinkers, standing and/or suspended
- 5 A-frame 5800 with feed and/or drinker line and up to 8 perches
- 6 A-frame 3000 liftable with feed line and 3 perches
- 7 Winter garden

Nest cross sections and dimensions of Colony 2+

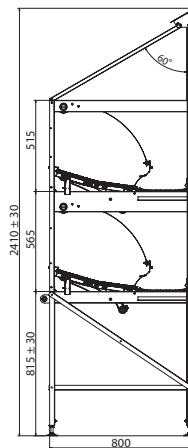
Single-tier wall nest



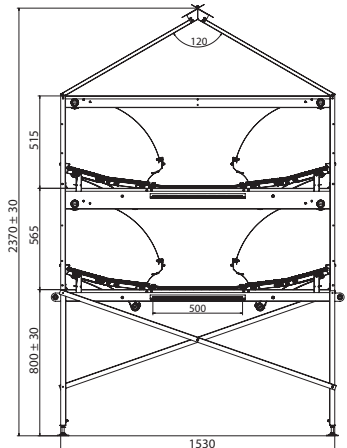
Single-tier double nest



Two-tier wall nest



Two-tier double nest



Big Dutchman

Europe, Middle East & Africa:
Big Dutchman International GmbH
 P.O. Box 1163 · 49360 Vechta, Germany
 Phone +49(0)4447 801-0 · Fax -237
 big@bigdutchman.de
 www.bigdutchman.de

USA: Big Dutchman, Inc.

Phone +1 616 392 5981 · bigd@bigdutchmanusa.com
 www.bigdutchmanusa.com

Brazil: Big Dutchman (Brasil) Ltda.

Tel. +55 54 2101 5900 · bigdutchmanbrasil@bigdutchman.com.br www.bigdutchman.com.br

Russia: 000 "Big Dutchman"

Phone +7 495 2295 161 · big@bigdutchman.ru · www.bigdutchman.ru

Asia/Pacific: BD Agriculture (Malaysia) Sdn. Bhd.

Phone +60 33 34 83 555 · bdasia@bigdutchman.com · www.bigdutchman.com

China: Big Dutchman (Tianjin) Livestock Equipment Co., Ltd.

Phone +86 10 5632 0188 · bdcnsales@bigdutchman.com
 www.bigdutchmanchina.com